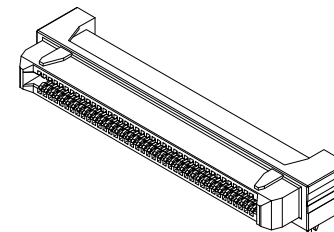
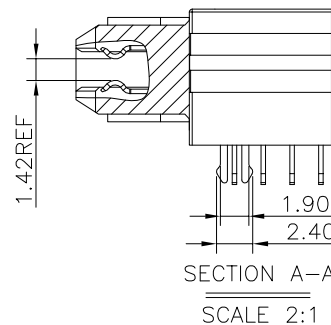
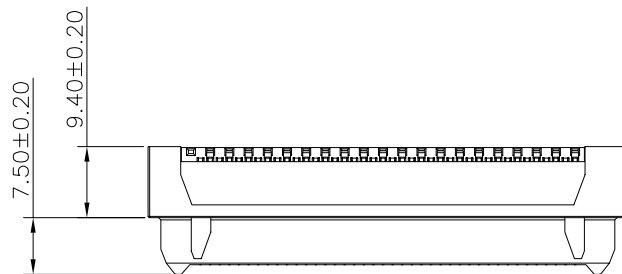


RoHS GP HF

REV.	ECR/N NO.	DESCRIPTION	DRAWN	DATE
A	—	—	LongQiang	20/10/27
B	—	UPDATE DRAWING	Li Song	21/03/29
C	—	UPDATE DRAWING	Li Song	21/07/14



NOTES:

1.MATERIAL SPECIFICATION:

1-1.HOUSING:HIGH TEMP THERMOPLASTIC UL94-V0 V2 OR HB;

COLOR: BLACK

1-2.SPACE:HIGH TEMP THERMOPLASTIC UL94-V0 V2 OR HB;

COLOR: BLACK

1-2.CONTACT:COPPER ALLOY;

1-3.HOOK:STEEL ALLOY OR STAINLESS STEEL OR COPPER ALLOY;

2.PLATING SPECIFICATION:

2-1.CONTACT:

50U NICKEL UNDERPLATED;

GOLD PLATING ON CONTACT AREA;

100U MATTE TIN PLATING ON SOLDER AREA;

2-2.HOOK

ONLY NICKEL PLATING;

OR NO PLATING;

OR 50U MIN NICKEL UNDERPLATED,100UMIN MATTE TIN;

3.MECHANICAL PERFORMANCE:

3-1.DURABILITY:500 CYCLES MIN;

4.ENVIRONMENT PERFORMANCE;

4-1.OPERATING TEMPERATURE:-40°C TO +85°C;

4.ELECTRICAL PERFORMANCE:

4-1.CURRENT RATING:1.0 AMP PER PIN;

4-2.LLCR:40mΩ MAX(INITIAL);

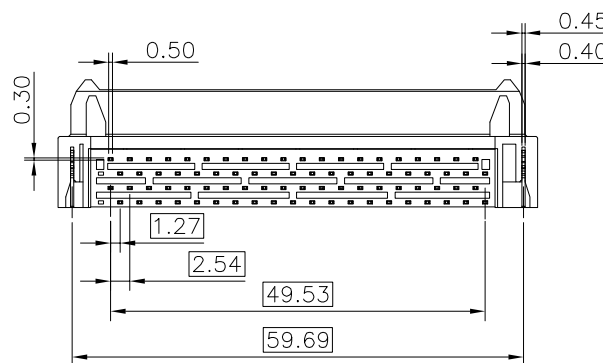
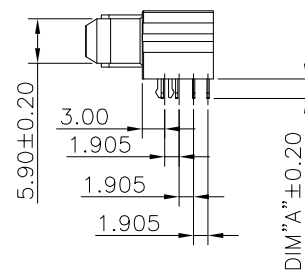
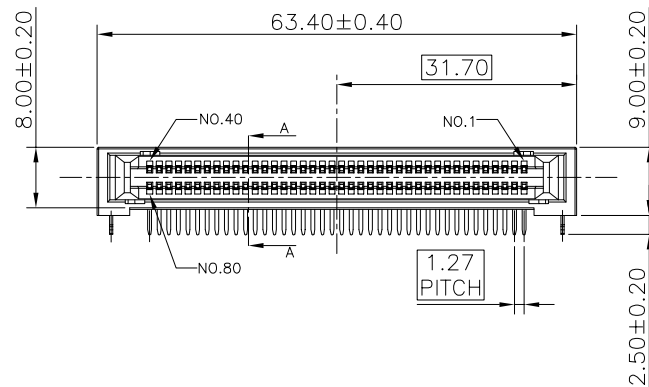
4-3.INSULATION RESISTANCE:100MΩ MIN;

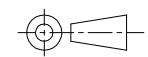
4-4.DIELECTRIC WITHSTAND VOLTAGE:AC 500V FOR 1 MINUTE;

5.RoHS COMPLIANT.

6.WAVE SOLDERING PROCESS

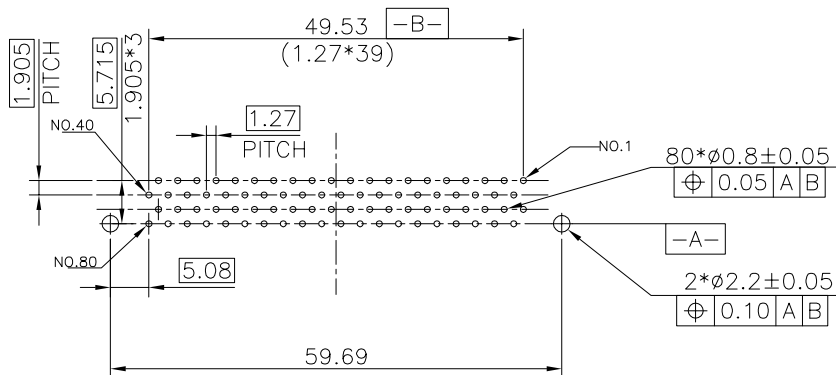
6-1.RECOMMENDED CONDITION FOR WAVE SOLDERING:
220±5°C AND IMMERSION DURATION 10±2 SECONDS,



TOLERANCE	MODEL NAME: OPS 80PIN FEMALE TYPE				DRAWN:	Li Song
X.X ±0.35	MODEL NO: SEE TABLE				CHECKED:	YouHua.Cai
X.XX ±0.25	UNIT:	SCALE:	REVISION:	SHEET	APPROVED: YouHua.Cai	
X.XXX ±0.10	mm	1:1	C	1/2	DATE:	2021/07/14
ANGLE ±1.0°	 WLCO 深圳市兴万联电子有限公司 SHENZHEN XING WAN LIAN ELECTRONICS CO.,LTD.				DWG NO:	C-WLPS-001A
					FILE:	C

RoHS GP HF

REV.	ECR/N NO.	DESCRIPTION	DRAWN	DATE
A	—	—	LongQiang	20/10/27
B	—	UPDATE DRAWING	Li Song	21/03/29
C	—	UPDATE DRAWING	Li Song	21/07/14



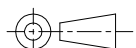
RECOMMENDED PCB LAYOUT
 DEFAULT TOLERANCE ±0.05

NOTES:

1. NO TIE PERMITTED FROM CARD EDGE TO LEADING EDGE OF PAD FOR PINS 'A1' AND 'C'.
2. CHAMFER EDGES MUST BE FREE OF CUTTING BURRS.

TABLE

NO.	PART NO.	SPECIFICATION	HSF COMPLIANT	DIM"A"
1	WLPS-001A	HOUSING_PBT BLACK UL94-V0,SPACE PA9T BLACK,C5191 Au3u Min Ni50u,HOOK_COPPER ALLOY MATTE TIN PLATING.	ROHS COMPLIANT	2.60mm

TOLERANCE X.X ±0.35 X.XX ±0.25 X.XXX ±0.10 ANGLE ±1.0°	MODEL NAME: OPS 80PIN FEMALE TYPE				DRAWN: Li Song	
	MODEL NO: SEE TABLE				CHECKED: YouHua.Cai	
	UNIT:	SCALE:	REVISION:	SHEET	APPROVED: YouHua.Cai	
	mm	1:1	C	2/2	DATE: 2021/07/14	
		WLCO 深圳市兴万联电子有限公司 SHENZHEN XING WAN LIAN ELECTRONICS CO.,LTD.			DWG NO:C-WLPS-001A FILE: C	