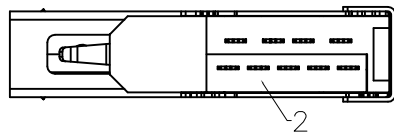
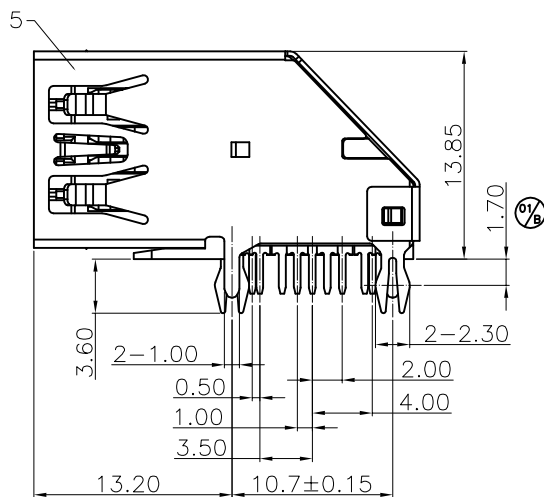
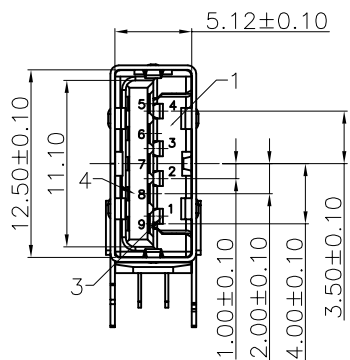
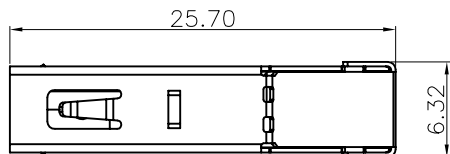
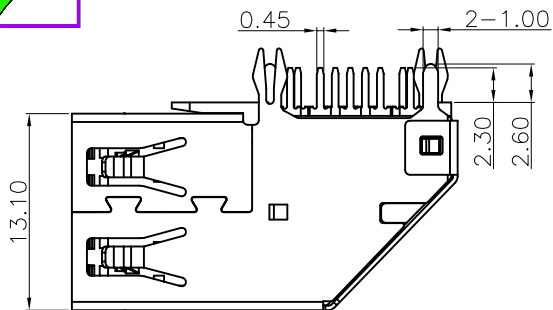


RoHS

GP

HF

REV.	ECR/N NO.	DESCRIPTION	DRAWN	DATE
A	—	NEW	WuXiaoTao	2021/04/10
B	—	Adjust the highest dimension of the harpoons from 1.94mm to $\phi_{1/B}$ 1.70mm for meeting customer	WuXiaoTao	2021/12/02



NOTES:

1.ELECTRONIC:

CURRENT RATING: 1.8A FOR PIN1 & PIN4,0.25A FOR OTHERS
 CONTACT RESISTANCE: 30mohm MAX.
 INSULATION RESISTANCE: 100 Mohm MIN.
 WITHSTAND VOLTAGE: AC 100V FOR 1MINUTE.

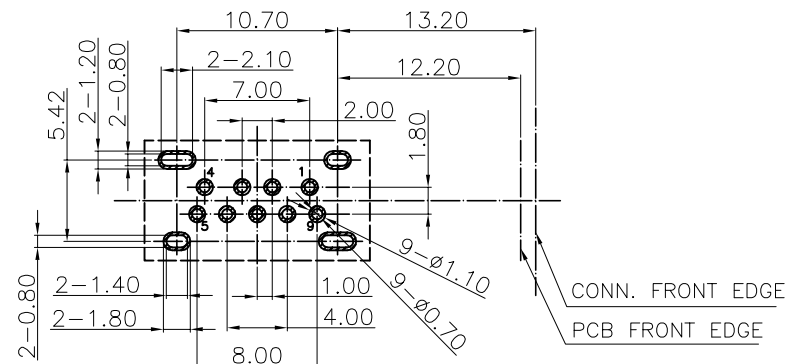
2.MECHANICAL:

INSULATION FORCE: 3.57 Kgf MAX.
 REMOVAL FORCE: 1.02Kgf MIN., 0.80Kgf MIN. AFTER DURABILITY
 DURABILITY: 5000 CYCLE.

3.ENVIRONMENT CHARACTERISTICS:

OPERTING TEMPERATURE: -55°C TO +85°C

4.RECOMMANDER PCB THICKNESS : 1.60mm



Recommended P.C.B Layout(Bottom View)
 Thickness:1.60mm Default Tol±0.05

5	SHELL	1	STAINLESS STEEL,T=0.30mm	Ni 50u"Min. Over All Area
4	5PIN_CONTACT	5	COPPER ALLOY	Au G/F Plated on Contact Arca Matte Tin 80u" MIN. Plated on Solder Tails, Nickel 50u" MIN. Underplating Over All.
3	4PIN_CONTACT	4	COPPER ALLOY	Au G/F Plated on Contact Arca Matte Tin 80u" MIN. Plated on Solder Tails, Nickel 50u" MIN. Underplating Over All.
2	5P_MOLDING	1	LCP	(UL 94V-0) BLUE
1	4P_MOLDING	1	LCP	(UL 94V-0) BLUE
No.	PART NAME	QTY	MATERIAL	REMARK

TOLERANCE	MODEL NAME: 单层USB3.1 A-TYPB 反向 LCP蓝胶 90度 侧插 无卷边半金弯插G/F			DRAWN: WUXIAOTAO
X.X ±0.35	MODEL NO: WLUS-595A			CHECKED: WUXIAOTAO
X.XX ±0.25	UNIT:	SCALE:	REVISION:	APPROVED: WUHUAMING
X.XXX ±0.10	mm	1:1	B	DATE: 2021/12/02
ANGLE ±1.0°	DWG NO:			FILE: C
深圳市兴万联电子有限公司 SHENZHEN XING WAN LIAN ELECTRONICS CO.,LTD.				