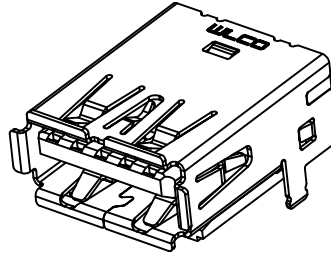
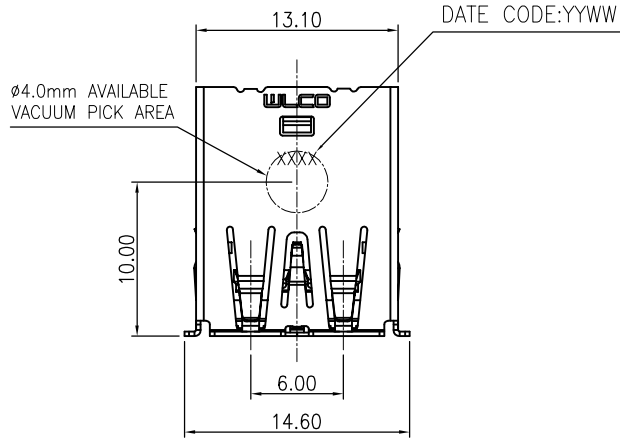


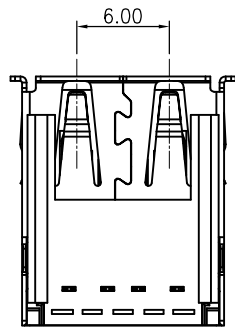
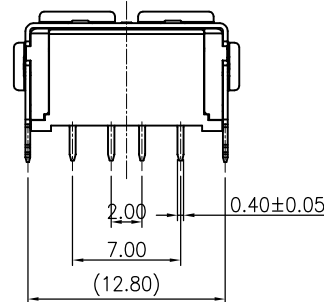
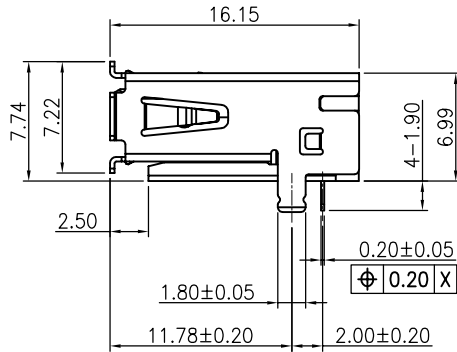
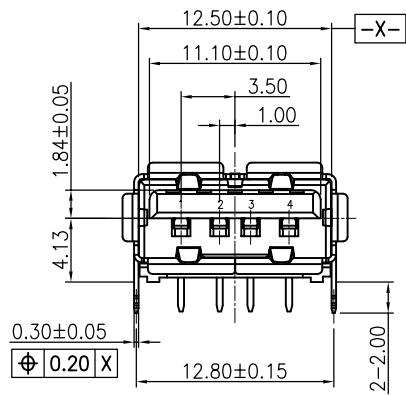
RoHS GP HF

REV.	ECR/N NO.	DESCRIPTION	DRAWN	DATE
A		NEW	YAOSHIXUAN	2020/09/18
B		去除外壳下框口翻边处切口	YAOSHIXUAN	2020/12/30



NOTE:

- MATERIAL:
  - HOUSING: PA9T+30%GF; UL94V-0; COLOR: BLACK;
  - COVER: PA9T+30%GF; UL94V-0; COLOR: BLACK;
  - 4PIN CONTACTS: C5210,T=0.20mm;
  - SHELL: STAINLESS STEEL,T=0.30mm
- PLATING SPECIFICATION:
  - CONTACTS:
    - NI 50u" MIN. PLATED ON OVERALL. Au 15u" MIN. PLATED ON THE FUNCTIONAL AREA OF CONTACT.
    - MATTE Sn 80u" MIN. PLATED ON SOLDER AREA.
  - SHELL:
    - NI 50u" MIN. PLATED ON OVERALL.
- SPECIFICATION:
  - ELECTRICAL:
    - CONTACT CURRENT RATING: 1.8A FOR PIN1 & PIN4
    - 0.25A FOR OTHERS.
    - INSULATION RESISTANCE: 100MΩ MIN.
    - CONTACT RESISTANCE: 30 mΩ MAX.
    - DIELECTRIC WITHSTANDING VOLTAGE: AC 500V FOR 1MINUTE
  - MECHANICAL:
    - INSULATION FORCE: 3.57Kgf MAX.
    - REMOVAL FORCE: 1.02Kgf MIN.,0.80Kgf MIN. AFTER DURABILITY
    - DURABILITY: 5000 CYCLES
- HF COMPLIANT.



Pin Assignments

Pin Number	Signal Name
1	VBUS
2	D-
3	D+
4	GND
SHELL	Shield

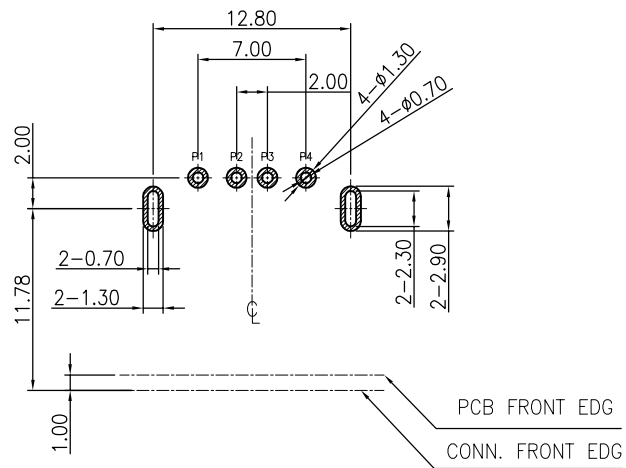
TOLERANCE	MODEL NAME: 单脚USB 2.0 A/D DIP 90° CS=6.99mm PA9T塑胶 无毒环保 端子C5210 合金弹插15° 针长1.9 SIS外壳 卷边 直脚2.0 不带后盖 带孔CO 喇叭/C 胶带包装	DRAWN:	YAOSHIXUAN
X.X ±0.30	MODEL NO: WLUS-591A	CHECKED:	WUXIAOTAO
X.XX ±0.25	UNIT: mm	APPROVED:	WUHUAMING
X.XXX ±0.15	SCALE: 1:1	DATE:	2020/12/30
ANGLE ±2.0°	REVISION: B	DWG NO:	
	SHEET: 1/2	FILE:	C
	<b>WLCO</b> 深圳市兴万联电子有限公司 SHENZHEN XING WAN LIAN ELECTRONICS CO.,LTD.		

RoHS

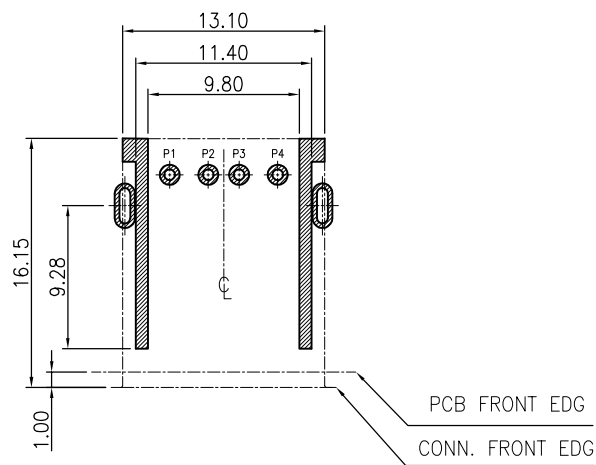
GP

HF

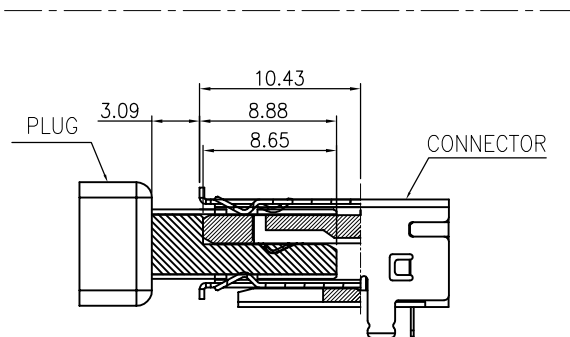
REV.	ECR/N NO.	DESCRIPTION	DRAWN	DATE
A		NEW	YAOSHIXUAN	2020/09/18
B		去除外壳下框口翻边处切口	YAOSHIXUAN	2020/12/30



RECOMMENDED P.C.B LAYOUT  
THICKNESS:1.60mm(TOP VIEW)  
DEFAULT TOL ±0.05



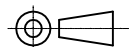
RECOMMENDED CONNECTOR EDGE(TOP VIEW)  
(COMPONENT SIDE, TOP VIEW)



RECOMMENDED METHOD OF MATE  
SCALE 1:1

Pin Assignments

Pin Number	Signal Name
1	VBUS
2	D-
3	D+
4	GND
SHELL	Shield

TOLERANCE X.X ±0.30 X.XX ±0.25 X.XXX ±0.15 ANGLE ±2.0°	MODEL NAME: 单眼USB 2.0 A/F DTP 90° CH-6.99mm PA6T 阻燃 无卤环保 端子CS210 半金属插15° 针长1.9 SIS外壳 卷边 直脚2.0 不带后盖 香烟CO 喇叭C 胶带包装				DRAWN: YAOSHIXUAN	
	MODEL NO: WLUS-591A				CHECKED: WUXIAOTAO	
UNIT: mm	SCALE: 1:1	REVISION: B	SHEET 2/2	APPROVED: WUHUAMING		
				DATE: 2020/12/30		
 <b>WLCO</b> 深圳市兴万联电子有限公司 SHENZHEN XING WAN LIAN ELECTRONICS CO.,LTD.				DWG NO:		
				FILE: C		