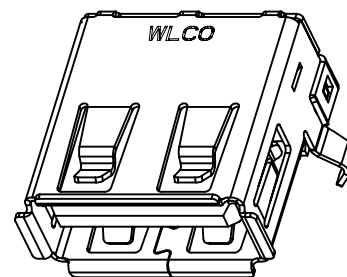
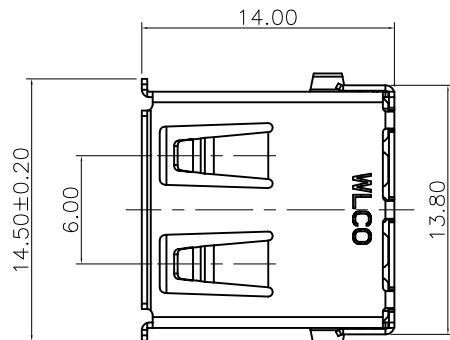


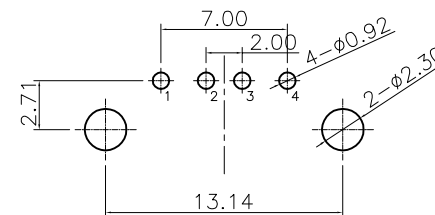
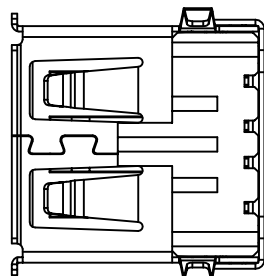
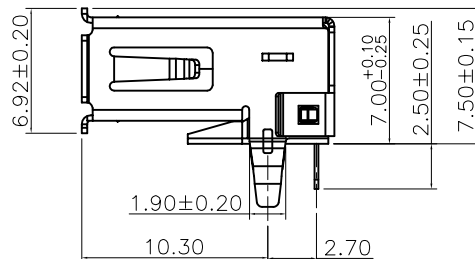
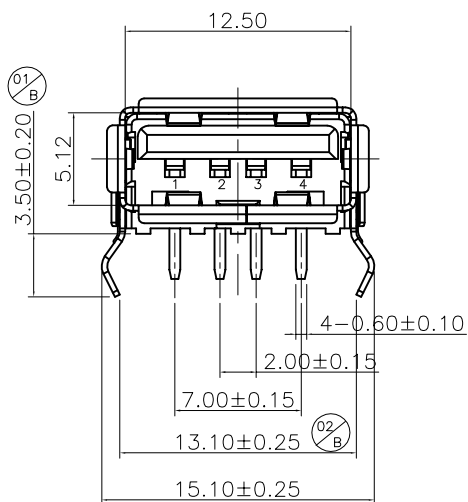
RoHS GP HF

REV.	ECR/N NO.	DESCRIPTION	DRAWN	DATE
A	/	NEW	YAOSHIXUAN	2016/01/25
B1	/	增加总高度尺寸	YAOSHIXUAN	2018/08/02



NOTE:

- MATERIAL:
 - HOUSING: PBT,UL94V-0; COLOR: WHITE
 - CONTACT: C2680 T=0.2±0.03MM
 - SHELL: SPCC T=0.3±0.03MM
- FINISH:
 - CONTACT: AU G/F PLATED ON CONTACT AREA, TIN 80U" PLATED ON SOLDER TAILS, NICKEL 50U" UNDERPLATING OVER ALL.
 - SHELL: NICKEL 80U" UNDERPLATING OVER ALL.
- SPECIFICATION:
 - ELECTRICAL:
 - CONTACT CURRENT RATING: 1.5A
 - INSULATION RESISTANCE: 1000MΩ MIN.
 - CONTACT RESISTANCE: 30 MΩ MAX.
 - DIELECTRIC WITHSTANDING VOLTAGE: 500V/AC 1MINUTE
 - MECHANICAL:
 - MATING FORCE: 3.57KGF MAX.
 - UNMATING FORCE: 1.0KGF MIN.



Recommend P.C.B LAYOUT

TOLERANCE	MODEL NAME: 单层USB A-TYPE 90度 PBT白胶C环保防火 铁壳麻面卷边15-1 WLCO LOGO 24H盐雾	DRAWN: YAOSHIXUAN
X.X ±0.35	MODEL NO: WLUS-050F	CHECKED: WUHUAMING
X.XX ±0.25	UNIT: mm	APPROVED: WUHUAMING
X.XXX ±0.10	SCALE: 1:1	DATE: 2018/08/02
ANGLE ±2.0°	REVISION: B1	DWG NO:
	SHEET: 1/1	FILE: C
	深圳市兴万联电子有限公司 SHENZHEN XING WAN LIAN ELECTRONICS CO.,LTD.	