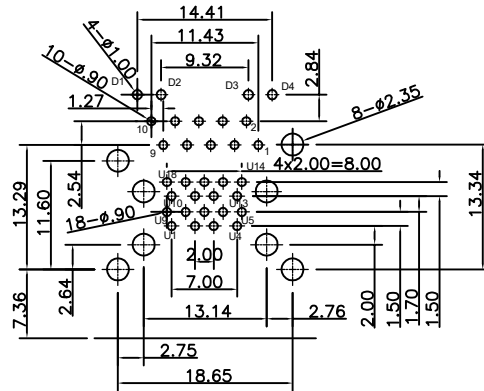
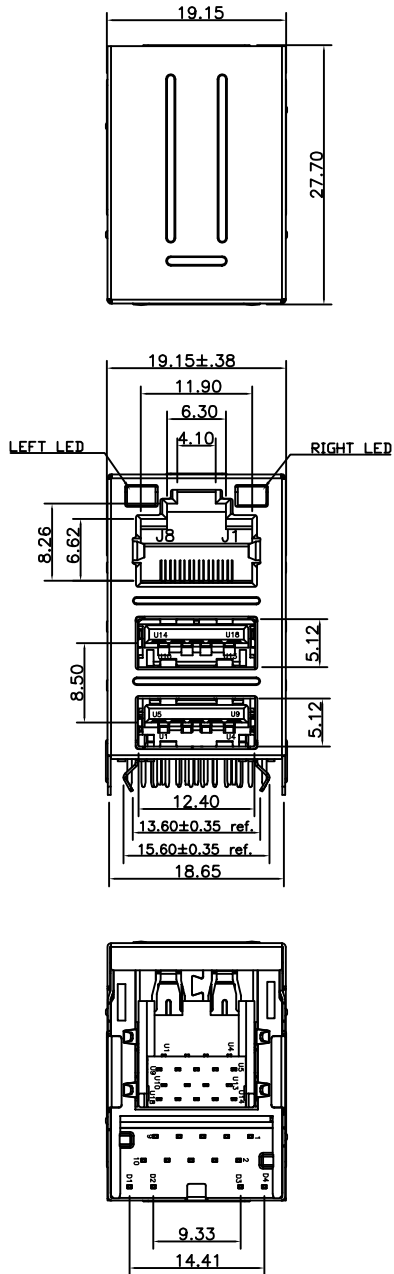
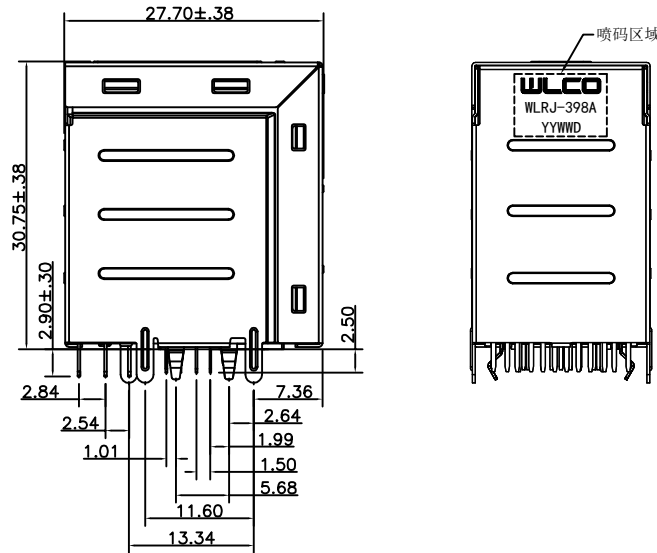


RoHS GP HF

1.Mechanical:



RECOMMENDED P.C.B. PATTERN LAYOUT
TOP VIEW (ALL TOLERANCE ARE:0.05mm)



REV.	ECR/N NO.	DESCRIPTION	DRAWN	DATE
A	/	NEW	DENGJU	2021/04/30
B	/	修正P端子与前壳脚间距为13.29	DENGJU	2021/05/12
C	/	变更外壳材质SUS201为SUS304, 镀金变更为15u"	WUXIAOTAO	2021/06/04
D	/	增加喷码WLCO LOGO、WLRJ-398A、YYWD	WUXIAOTAO	2021/06/23

2. Notes :

RJ45

- Designed to support application, such as SOHO(ADSL modems) LAN-on-Motherboard(LOM), hub and Switches.
- Meets IEEE802.3 specification.
- Connector Material:
 - Housing&Insertion Base: Thermo plastics PBT+30%GF, UL94V-0.
- RJ45 Terminal:
 - Phosphor Bronze C5191. Thickness=0.30mm.
 - 15u" Gold plating on RJ45 contact area.
 - Tin Plating 100u" on solder tail area
 - 45u" Min. Ni underplating over all.
- Front Shell: SUS304
- Rear Shell: SUS304 .Thickness=0.25mm.Pre-soldering.

USB:

- Material Specification:
 - Cover: PBT+30%G.F, UL94V-0.Color:blue.
 - Housing: PBT+30%G.F, UL94V-0.Color:blue.
 - Shell: SUS201 T=0.25mm.
 - Contacts: Brass(C2680) T=0.20mm.
- Plating Specification:
 - Contacts: Au 15u" & 60u"matte Tin plated & 30u"Nickel plated
 - Shell:
 - 50u"MIN matte Tin plating on solder tails over 20u"MIN Nickel
- Mechanical Performance.
 - Insertion Force:3.5Kgf MAX.
 - Extraction Force:1.0-3.5Kgf.
 - Durability:1500 cycles .
- Electrical Performance:
 - Insulation Resistance:100M MIN.
 - Dielectric Withstand Voltage:AC 100V for 1 minute.
- Wave Solder:
 - The Connector Shall Be mounted on the PCB.
- Salt Spray:
 - Duration: 48H
 - Just Only Contact area plated gold more than 15u"(include 15u"), And the material of shell for stainless.

TOLERANCE	MODEL NAME:	RJ45+双层USB3.0 SUS外壳 塑胶PBT 针长2.50 端子半金锡15u" 带1000M滤波 吸塑包装			DRAWN:	DENGJU
X.X ±0.35	MODEL NO:	WLRJ-398A			CHECKED:	WUXIAOTAO
X.XX ±0.25	UNIT:	SCALE:	REVISION:	SHEET	APPROVED:	WUHUAMING
X.XXX ±0.10	mm	1:1	D	1/3	DATE:	2021/06/23
ANGLE ±2.0°	深圳市兴万联电子有限公司 SHENZHEN XING WAN LIAN ELECTRONICS CO.,LTD.				DWG NO:	
					FILE:	C