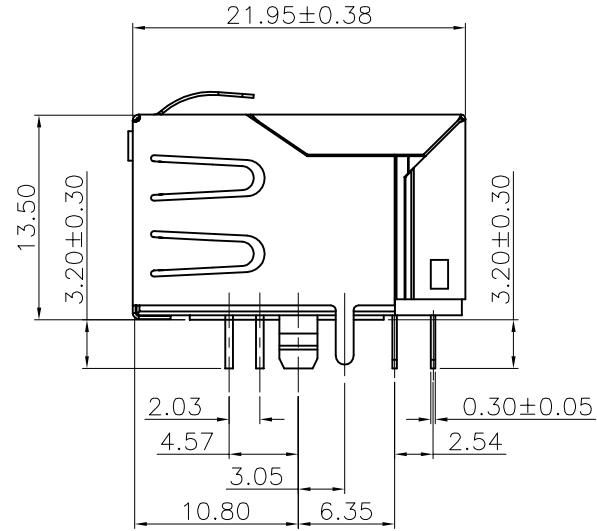
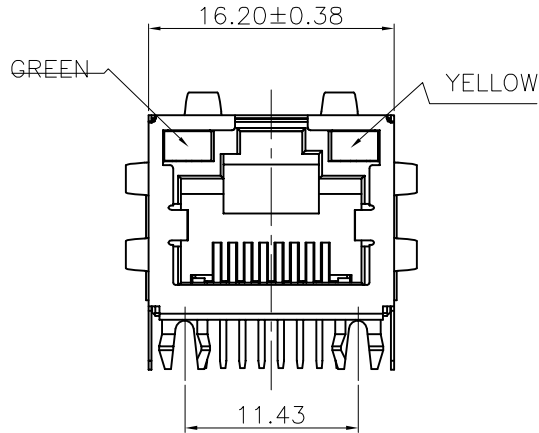
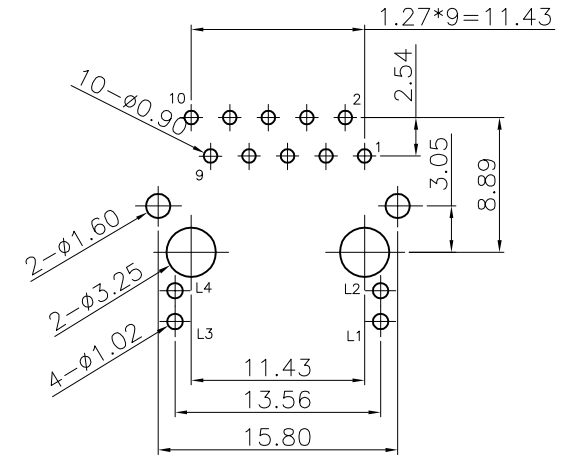


RoHS GP HF

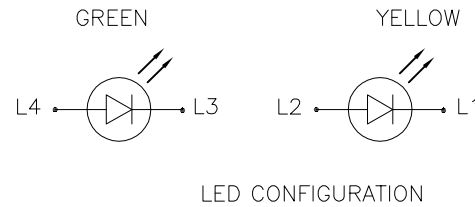
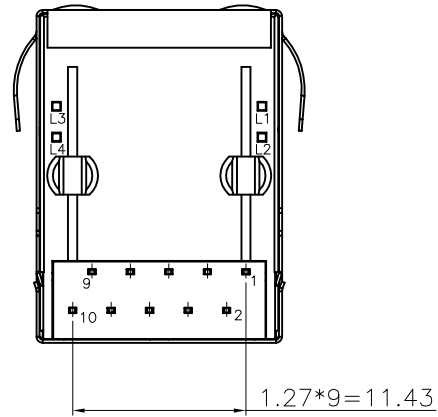
REV.	ECR/N NO.	DESCRIPTION	DRAWN	DATE
A	/	NEW	Shixuan.Yao	2020/05/07



NOTES:
 1.MATERIAL:
 HOUSING: PBT, BLACK UL94V-0
 CONTACTS:PHOSPHOR BRONZE T=0.30
 GOLD FLASH ON CONTACT AREA, TIN PLATING ON SOLERTAIL
 SHIELD : STAINLESS T=0.20
 NICKEL PLATING OVERALL



RECOMMEND PCB LAYOUT (TOP VIEW)
 DIMENSIONAL TOLERANCE: ±0.05



TOLERANCE X.X ±0.35 X.XX ±0.25 X.XXX ±0.10 ANGLE ±2.0°	MODEL NAME: RJ45 90度DIP 正向长体21.95 带灯带弹左绿右黄 PBT黑胶环保防火 带1000M滤波 吸塑包装			DRAWN: DENGJU
	MODEL NO: WLRJ-372A			CHECKED: YAOSHIXUAN
	UNIT: mm	SCALE: 1:1	REVISION: A	SHEET 1/2
	APPROVED: WUHUAMING			DATE: 2020/05/07
深圳市兴万联电子有限公司 SHENZHEN XING WAN LIAN ELECTRONICS CO.,LTD.			DWG NO:	
			FILE: C	