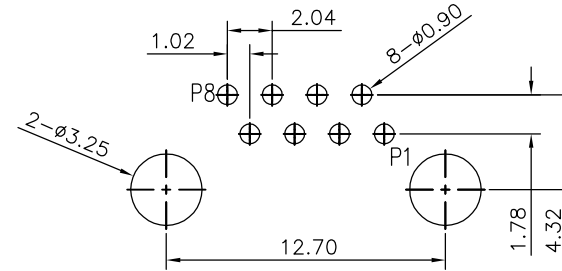
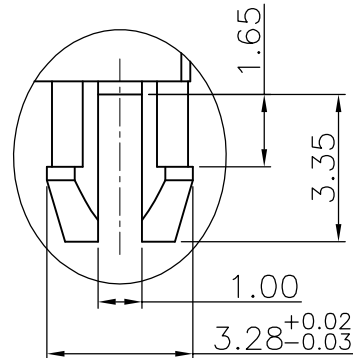
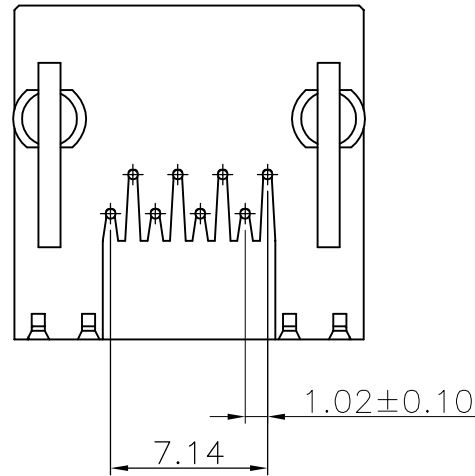
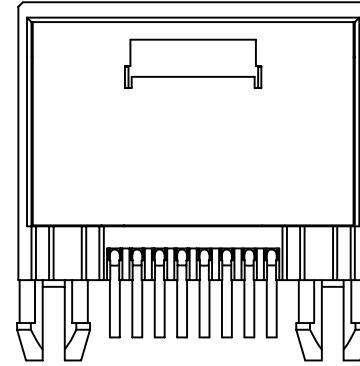
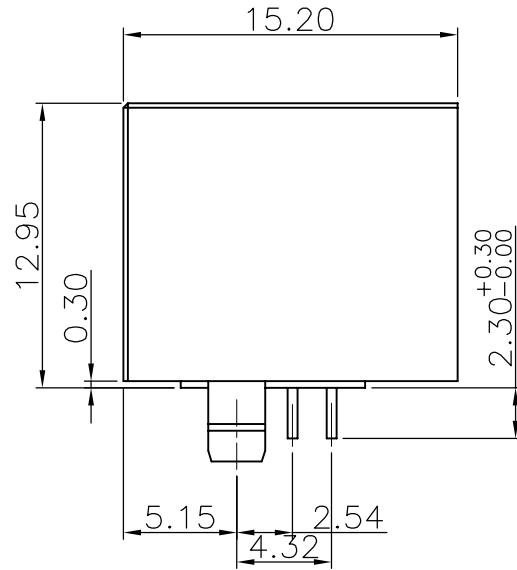
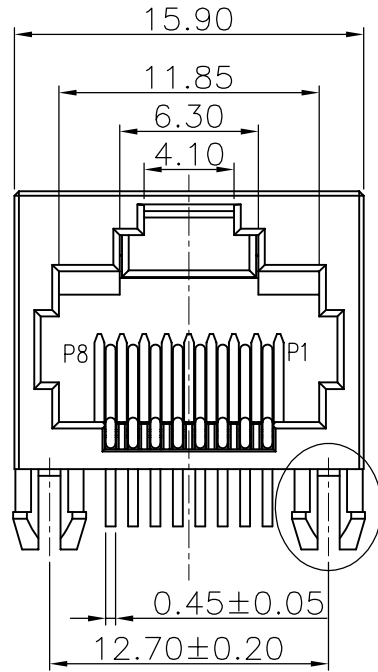


RoHS GP HF

REV.	ECR/N NO.	DESCRIPTION	DRAWN	DATE
A	/	NEW	/	/
B	/	塑胶柱尺寸变更	PYP	2018/03/27
C	/	更换图框	DENGJU	2021/07/12

NOTES:

- MATERIAL:
HOUSING: PA46,UL94V-0; COLOR: BLACK.
CONTACT: COPPER ALLOY.
- FINISH:
CONTACT: GOLD FLASH PLATED ON CONTACT AREA,
NICKEL 30U" UNDERPLATING OVER ALL.
- SPECIFICATION:
 - ELECTRICAL:
CURRENT RATING: 1.5A.
VOLTAGE RATING: 120V.
INSULATION RESISTANCE: 500MΩ Min.
CONTACT RESISTANCE: 20mΩ Max.
DIELECTRIC WITHSTANDING VOLTAGE:
1000V/AC 1MINUTE.
 - MECHANICAL:
MATING FORCE: 2.04Kgf Max.
UNMATING FORCE: 0.7Kgf Min.
DURABILITY: 750 CYCLES.



RECOMMENDED P.C.B LAYOUT
(TOP VIEW)

TOLERANCE	MODEL NAME: RJ45 90°DIP无外壳无灯 带后盖 PA46环保防火 黑色	DRAWN: DENGJU
X.X ±0.35	MODEL NO: WLRJ-277A	CHECKED: WUXIAOTAO
X.XX ±0.25	UNIT: SCALE: REVISION: SHEET	APPROVED: WUHUAMING
X.XXX ±0.10	mm 1:1 C 1/1	DATE: 2021/07/12
ANGLE ±2.0°	WLRJ-277A	DWG NO:
	WLRJ-277A 深圳市兴万联电子有限公司 SHENZHEN XING WAN LIAN ELECTRONICS CO., LTD.	FILE: C