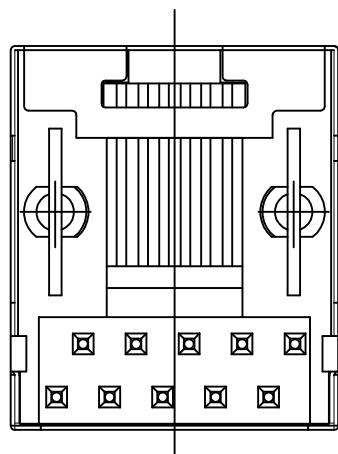
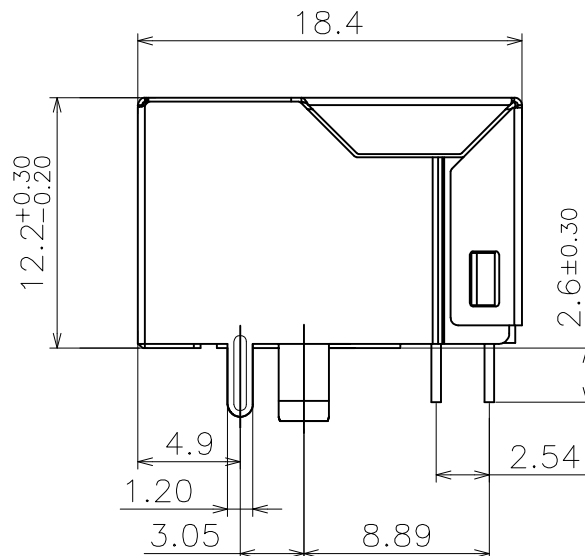
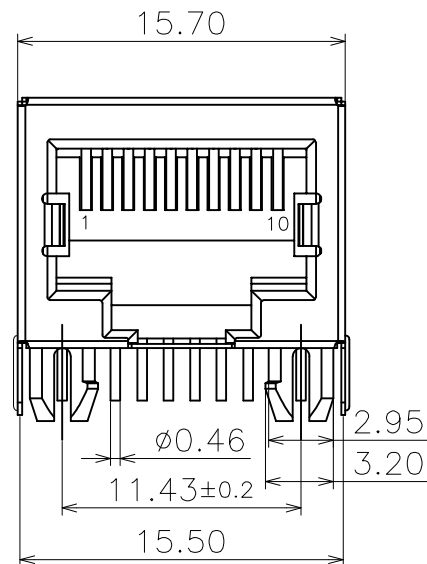


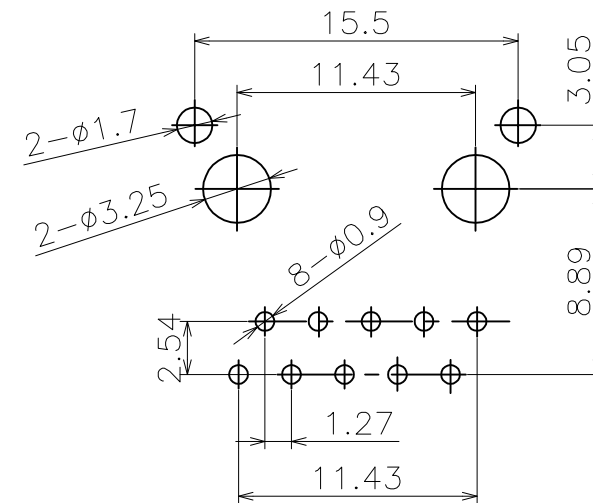
RoHS GP HF

REV.	ECR/N NO.	DESCRIPTION	DRAWN	DATE
A	/	NEW	YAOSHIXUAN	2019/04/17



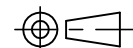
NOTE:

- Material:
Housing: PA46,UL94V-0; Color: Black.
Contact: Phosphor Bronze $\phi 0.46\text{mm}$.
Shell: Copper Alloy.
- FINISH:
Contact: Gold Flash Plated Over All,
Nickel Underplating Over All.
Shell: Nickel plating Over All.
- Specification:
Contact Current Rating: 1.5A
Insulation Resistance: 500M Ω Min.
Contact Resistance: 30 m Ω Max.
Dielectric Withstanding Voltage: 1000V/AC.



PCB LAYOUT (BOTTOM VIEW)
RECOMMENDED

TOLERANCE	MODEL NAME: RJ45 10P10C 90° DIP 长体18.4 塑料PA46 无灯无弹 反向	DRAWN: YAOSHIXUAN
X.X ±0.35	MODEL NO: WLRJ-109A	CHECKED: WUHUAMING
X.XX ±0.25	UNIT: mm	APPROVED: WUHUAMING
X.XXX ±0.10	SCALE: 1:1	DATE: 2019/04/17
ANGLE ±2.0°	REVISION: A	DWG NO:
	SHEET: 1/1	FILE: C
	SHENZHEN XING WAN LIAN ELECTRONICS CO.,LTD.	



WLCO 深圳市兴万联电子有限公司
SHENZHEN XING WAN LIAN ELECTRONICS CO.,LTD.