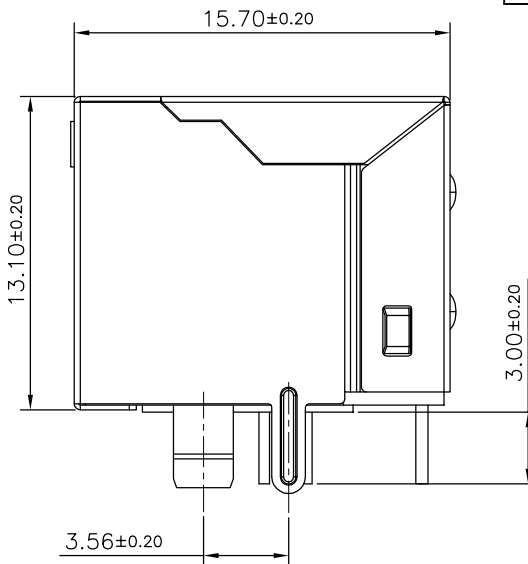
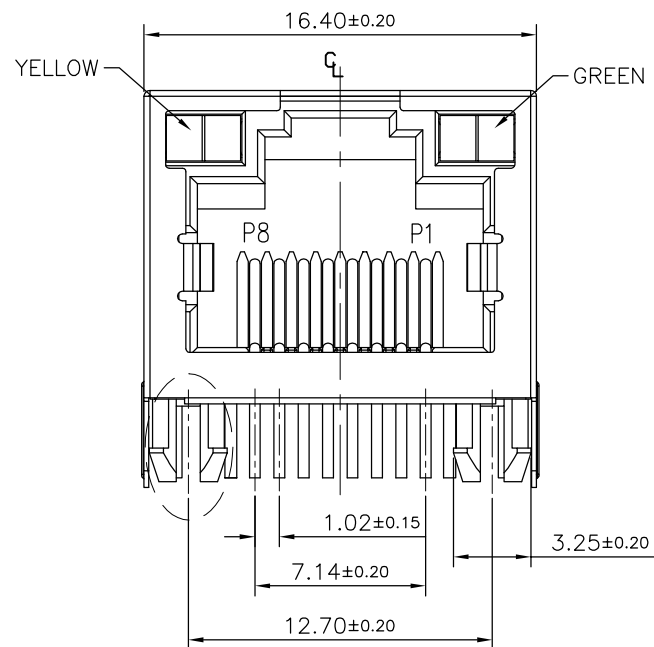
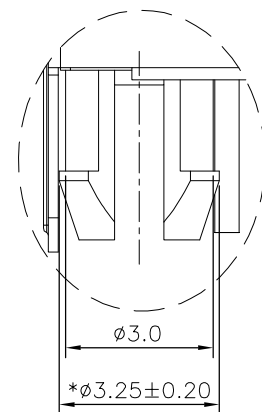
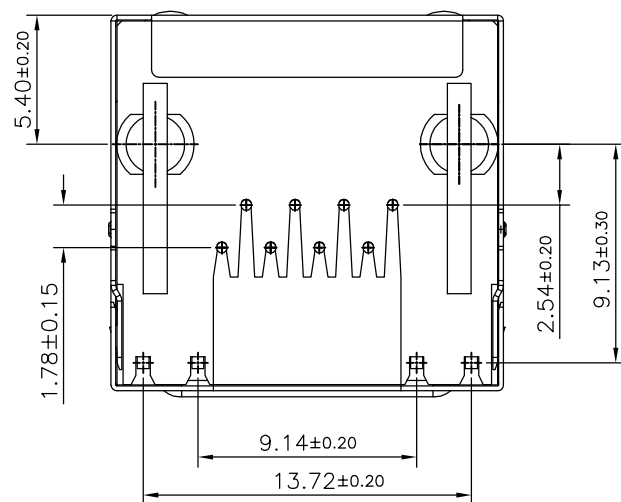


RoHS GP HF

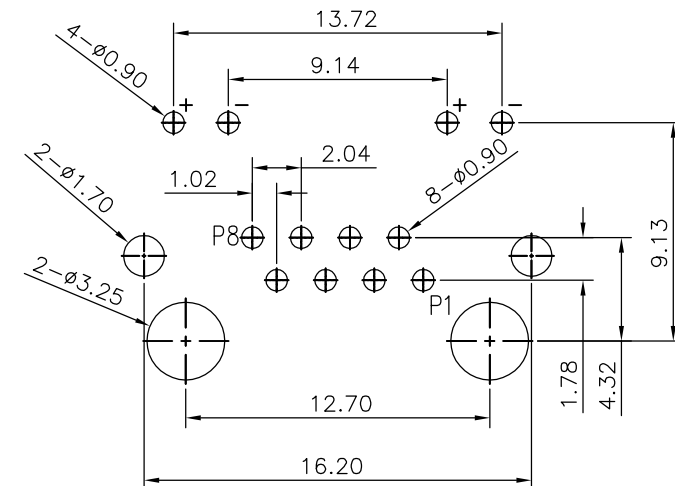
REV.	ECR/N NO.	DESCRIPTION	DRAWN	DATE
A	/	NEW	YAOSHIXUAN	2016/03/18



- NOTES:
- MATERIAL:
HOUSING: PA46,UL94V-0; COLOR: BLACK.
CONTACT: $\phi 0.45$ COPPER ALLOY.
SHELL: COPPER ALLOY.
 - FINISH:
CONTACT: GOLD PLATED ALL OVER,
NICKEL UNDERPLATING OVER ALL.
SHELL: NICKEL PLATING OVER ALL.
 - SPECIFICATION:
3.1: ELECTRICAL:
CURRENT RATING: 1.5A.
INSULATION RESISTANCE: 500M Ω Min.
CONTACT RESISTANCE: 20m Ω Max.
DIELECTRIC WITHSTANDING VOLTAGE: 500V/AC 1MINUTE.
3.2: MECHANICAL:
MATING FORCE: 2.04Kgf Max.
UNMATING FORCE: 2.04Kgf Max.
DURABILITY: 750 CYCLES.

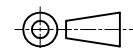


DETAIL A
SCALE 2:1



RECOMMENDED P.C.B LAYOUT
(TOP VIEW)

TOLERANCE	MODEL NAME: RJ45 90° DIP不带弹带灯 (左黄右绿) PA46环保防火	DRAWN: YAOSHIXUAN
X.X ±0.35	MODEL NO: WLRJ-044S	CHECKED: WUHUAMING
X.XX ±0.25	UNIT: mm	APPROVED: WUHUAMING
X.XXX ±0.10	SCALE: 1:1	DATE: 2016/03/18
ANGLE ±2.0°	REVISION: A	DWG NO:
	SHEET: 1/1	FILE: C



WLCO 深圳市兴万联电子有限公司
SHENZHEN XING WAN LIAN ELECTRONICS CO.,LTD.