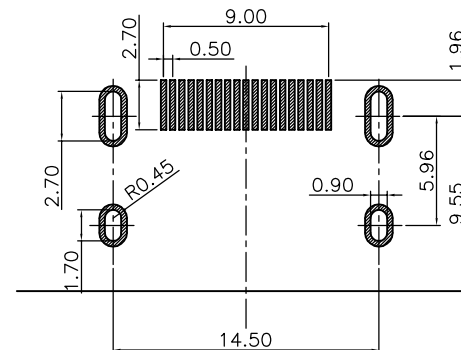
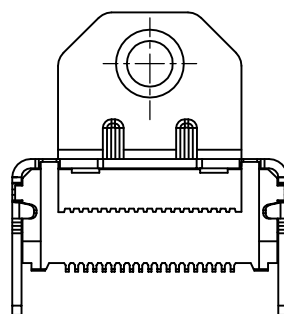
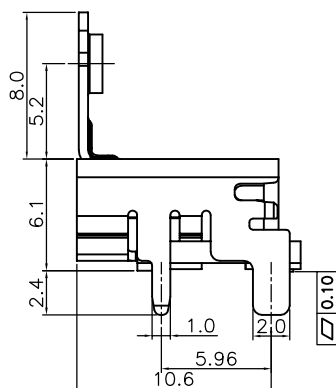
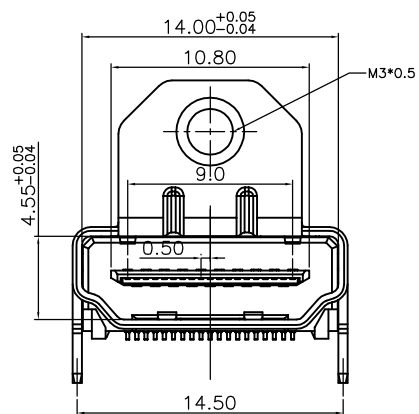
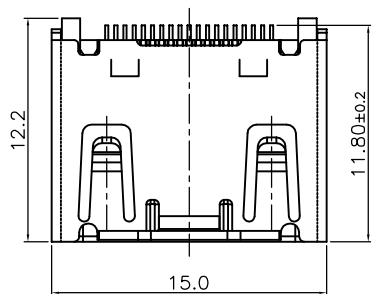


RoHS GP HF

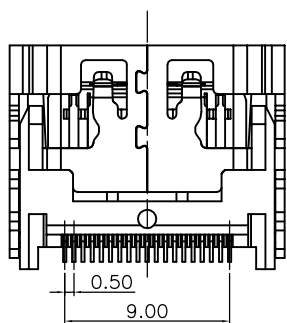
REV.	ECR/N NO.	DESCRIPTION	DRAWN	DATE
A	/	NEW	Shixuan.Yao	2019/05/09



PCB LAYOUT(TOP VIEW)

NOTE:

- Material:
Housing: Thermoplastics,UL94V-0; COLOR: BLACK
Contact: Copper Alloy
Shell: Copper Alloy
- FINISH:
Contact: AU Plated on Contact Arca,
Matte Tin Plated on Solder Tails,
Nickel Underplating Over All.
Shell: Nickel Underplating Over All.
- Specification:
3.1: Electrical:
Insulation Resistance(EIA-364-21):
100MΩ Min. at 500V/DC for 1Minute.
Contact Resistance(EIA-364-06): 30 mΩ Max.
Dielectric Withstanding Voltage(EIA-364-20):
No discharge, flashover or breakdown at 500V/AC 1Minute



TOLERANCE	MODEL NAME: HDMI 19P SMT型 有耳有弹 不带卡点 LCP黑胶环保防火 短支撑臂 端子C2680半金锡G/F 铜壳螺丝孔高5.2 载带包装	DRAWN: YAOSHIXUAN
X.X ±0.35	MODEL NO: WLDM-191A	CHECKED: WUHUAMING
X.XX ±0.25	UNIT: SCALE: REVISION: SHEET	APPROVED: WUHUAMING
X.XXX ±0.10	mm 1:1 A 1/1	DATE: 2019/05/09
ANGLE ±2.0°	WILCO 深圳市兴万联电子有限公司 SHENZHEN XING WAN LIAN ELECTRONICS CO.,LTD.	DWG NO:
		FILE: C