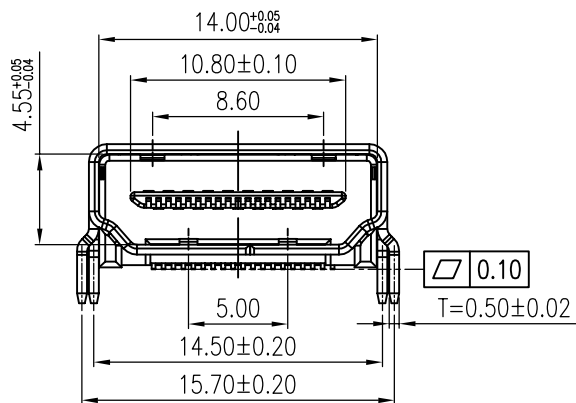
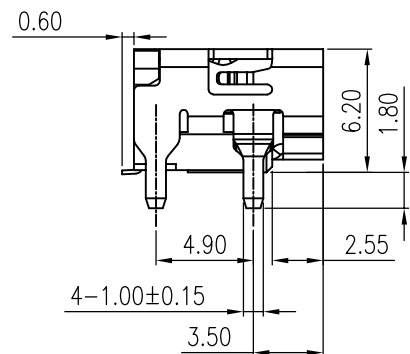
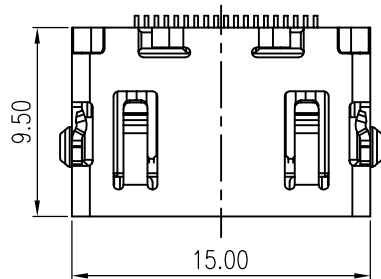
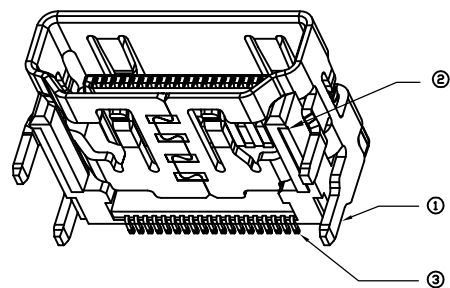
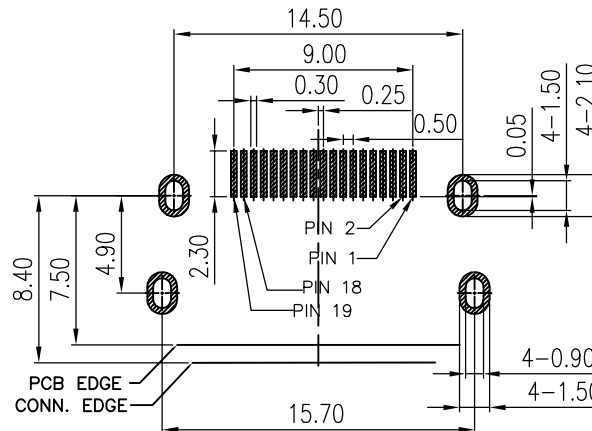


RoHS GP HF

REV.	ECR/N NO.	DESCRIPTION	DRAWN	DATE
A		NEW	YAOSHIXUAN	2019.11.11

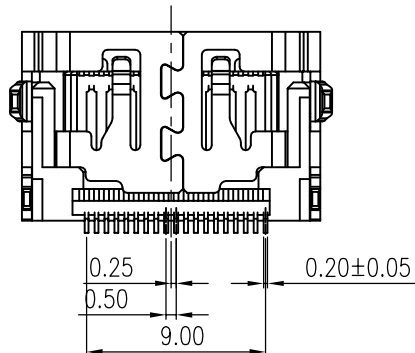
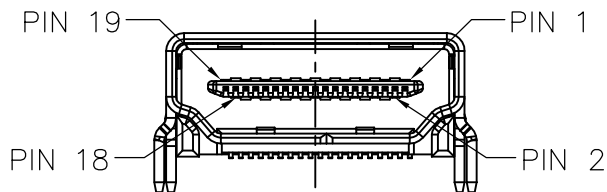


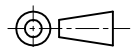
NOTE:
 1. Material:
 Housing: Thermoplastics,UL94V-0; COLOR: BLACK
 Contact: Copper Alloy T=0.20mm
 Shell: SPCC T=0.50mm
 2. FINISH:
 Contact: Au Plated on Contact Arca,
 Matte Tin Plated on Solder Tails,
 Nickel Underplating Over All.
 Shell: Nickel Underplating Over All.
 3. Specification:
 3.1: Electrical:
 Insulation Resistance(EIA-364-21):
 100MΩ Min. at 500V/DC for 1Minute.
 Contact Resistance(EIA-364-06): 30 mΩ Max.
 Dielectric Withstanding Voltage(EIA-364-20):
 No discharge, flashover or breakdown at 500V/AC 1Minute



RECOMMENDED PCB LAYOUT(COMPONENT SIDE)

PCB THICKNESS: 1.60±0.05
 DEFAULT TOLERANCE: ±0.05



3	TERMINAL	C2680	接触区G.F, Ni底50u# Min, 焊锡区Sn80u# Min	1SET
2	HOUSING	LCP UL94V-0	BLACK	1PCS
1	SHELL	SPCC	Ni 50u# Min	1PCS
NO.	DESCRIPTION	MATERIAL	REMARKS	QTY
TOLERANCE	MODEL NAME: HEMI 19P SMT型 短体 四脚无卡点 无锁孔 LCP黑胶环保 铁壳镀锌 端子C2680半金锡 载带包装			DRAWN: YAOSHIXUAN
X.X ±0.30	MODEL NO: WLDM-188A			CHECKED: WUXIAOTAO
X.XX ±0.25	UNIT:	SCALE:	REVISION:	SHEET
X.XXX ±0.15	mm	1:1	A	1/1
ANGLE ±1.0°	DWG NO:			DATE: 2019.11.11
 WLDM 深圳市兴万联电子有限公司 SHENZHEN XING WAN LIAN ELECTRONICS CO.,LTD.				FILE: C