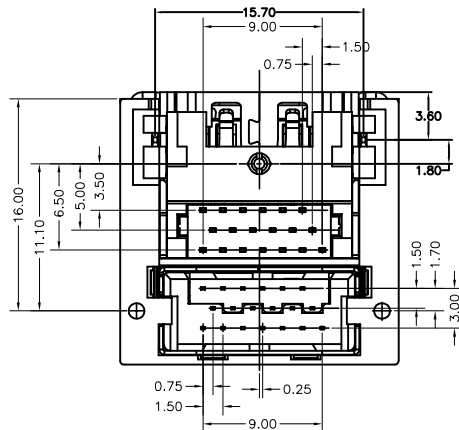
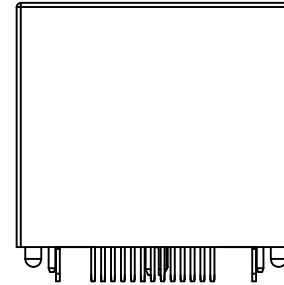
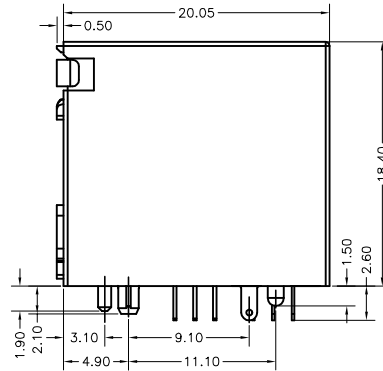
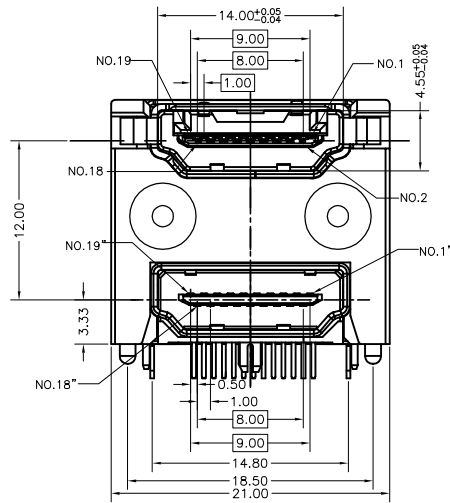
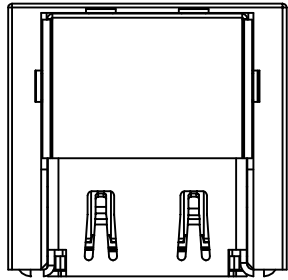


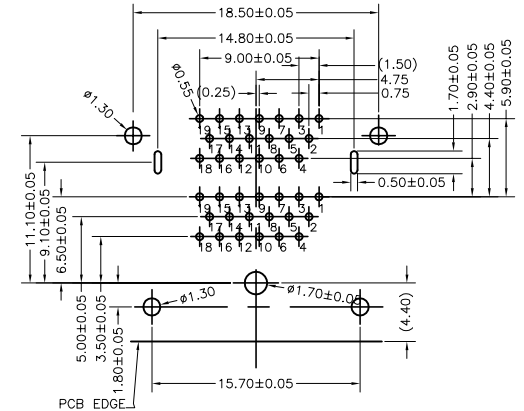
RoHS GP HF

MARK	ECN NO.	DESCRIPTION	DESIGN	DATE
A	—	NEW	—	—



NOTE:

- Material:
 - Housing: LCP,UL94V-0; Color: Black.
 - Bracket: PBT,UL94V-0; Color: Black.
 - Contact: Copper Alloy.
 - Shell: Copper Alloy.
- FINISH:
 - Contact: Gold Flash Plated on Contact Area, Tin Plated on Solder Tails, Nickel Underplating Over All.
 - Shell: Nickel plating Over All.
- Specification:
 - Electrical:
 - Contact Current Rating: 0.5A
 - Insulation Resistance: 100MΩ Min.
 - Contact Resistance: 10 mΩ Max.
 - Dielectric Withstanding Voltage: 500V/AC 1Minute.
 - Mechanical:
 - Mating Force: 4.5Kgf Max.
 - Unmating Force: 1.0~4.0Kgf.



PART NUMBER:


WLDM-186B

兴万联

HDMI系列

流水码

RECOMMENDED PCB LAYOUT
(THICKNESS=1.6±0.15mm)

Tolerance	Model Name: 双层HDMI 90度DIP不带弹片 LCP黑色带柱 端子半金锡G.F			Drawing: DENGJU
X.X ±0.30	Model No: WLDM-186B			Checked: YAOSHIXUAN
X.XX ±0.25	UNIT:	SCALE:	REVISION:	Approved: WUHUAMING
X.XXX ±0.15	mm	FULL	A	Date: 2017.03.18
Angle ±2.0°	DWG NO.			FILE: C
 WLDM 深圳市兴万联电子有限公司 SHENZHEN XINGWANLIAN TECHNOLOGY CO, LTD				