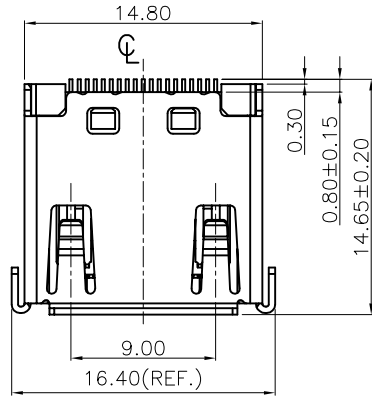
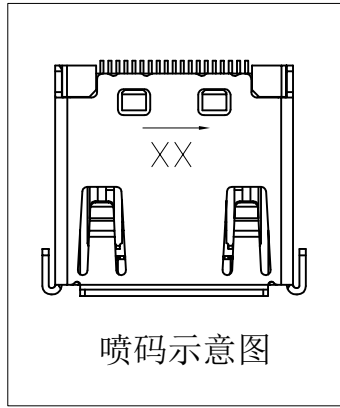


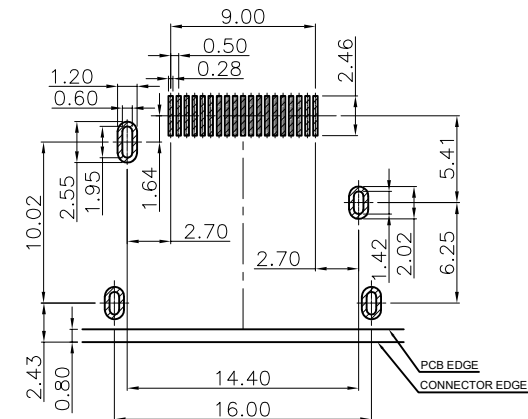
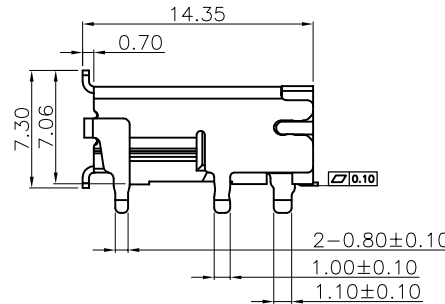
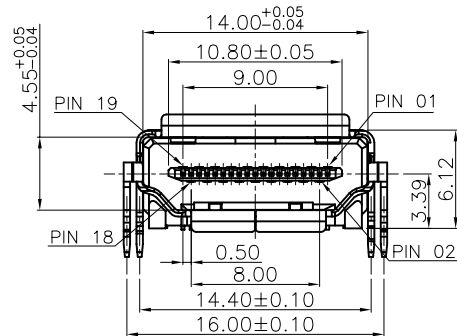
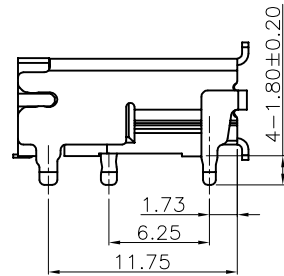
RoHS GP HF

| Mark | ECN NO. | DESCRIPTION | DESIGN | Date: |
|------|---------|-------------|--------|-------|
| A | — | NEW | — | — |

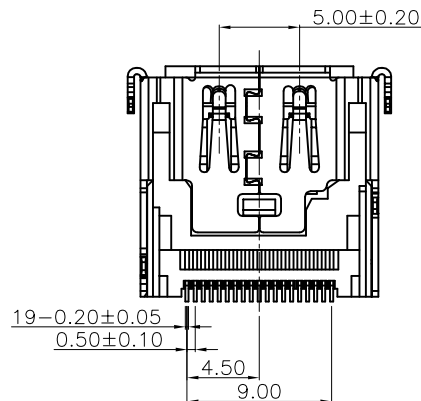


NOTE:

- Material:
 - Housing: LCP+40%G.F,UL94V-0; Color: Black
 - Contact: C2680 T=0.20mm
 - Shell: SUS304 T=0.40mm
- FINISH:
 - Contact: Au Plated on Contact Area, MATTE Tin Plated on Solder Tails, Nickel Underplating Over All.
 - Shell: Nickel Underplating Over All.
- Specification:
 - 3.1: Electrical:
 - Contact Current Rating: 0.5A
 - Insulation Resistance: 100MΩ Min.
 - Contact Resistance: 10 mΩ Max.
 - Dielectric Withstanding Voltage: 500V/AC 1Minute



RECOMMENDED PCB LAYOUT(TOP VIEW)
 THE DEFAULT TOLERANCE:±0.05
 (THICKNESS=1.00±0.05mm)



| | | | | | | |
|--|---|--------|-----------|-------|-----------|------------|
| Tolerance X.X ±0.30 X.XX ±0.25 X.XXX ±0.15 Angle ±2.0° | Model Name: HDMI 19P SMT 母座 长体 14.35 四脚无卡点 外壳后脚错位 顶部弹片反向 前脚外张间距 16.0 LCP 黑胶环保防火 与 FOXCONN 0/c | | | | Drawing: | DENGJU |
| | Model No: WLDM-140B | | | | Checked: | YAOSHIXUAN |
| | UNIT: | SCALE: | REVISION: | SHEET | Approved: | WUHUAMING |
| | mm | FULL | A | 1/1 | Date: | 2018.11.12 |
| | WLCO 深圳市兴万联电子有限公司 SHENZHEN XINGWANLIAN TECHNOLOGY CO.,LTD | | | | DWG NO. | |
| | | | | | FILE: | C |