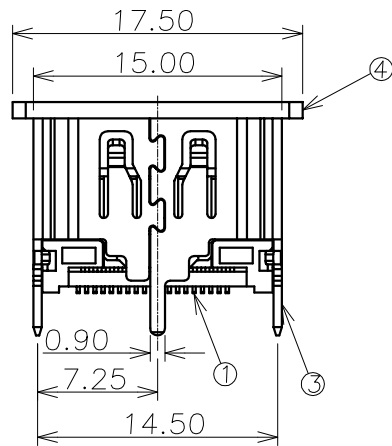
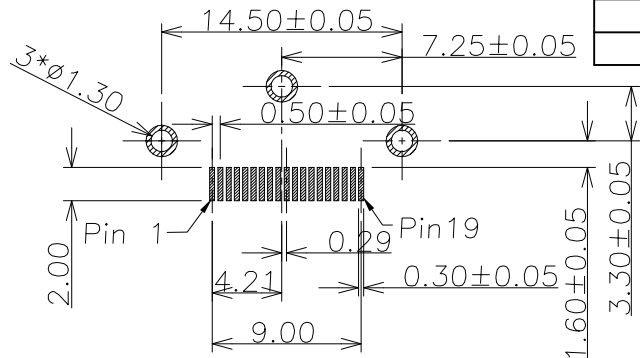
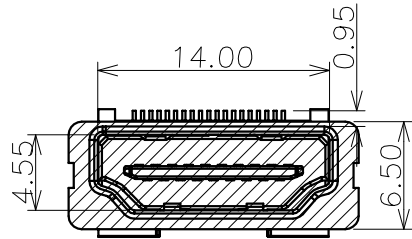
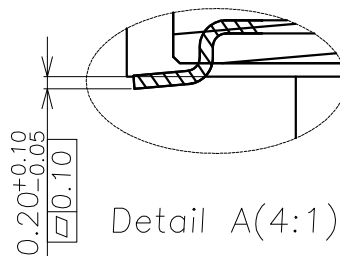
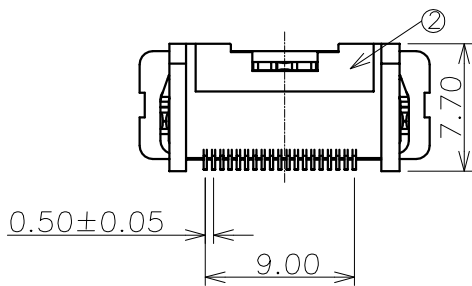
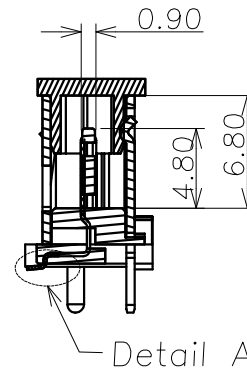
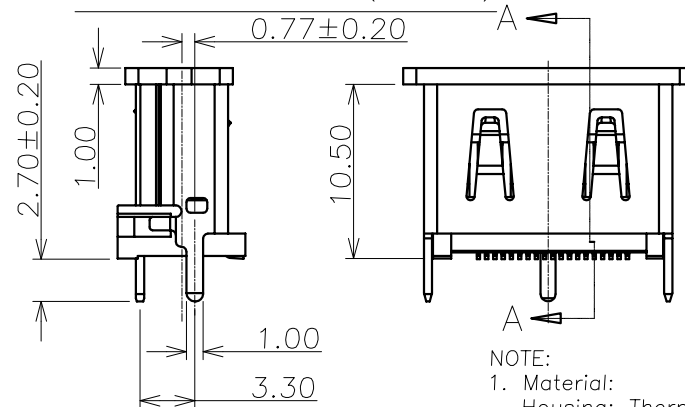


RoHS GP HF

REV.	ECR/N NO.	DESCRIPTION	DRAWN	DATE
A	/	NEW	DENGJU	2017/05/09



RECOMMENDED PCB LAYOUT (TOP VIEW)



NOTE:

- Material:
  - Housing: Thermoplastics,UL94V-0; COLOR: BLACK
  - Contact: Copper Alloy
  - Shell: Copper Alloy
- FINISH:
  - Contact: Au Plated on Contact Area, Matte Tin Plated on Solder Tails, Nickel Underplating Over All.
  - Shell: Nickel Underplating Over All.
- Specification:
  - 3.1: Electrical:
    - Insulation Resistance(EIA-364-21): 100M $\Omega$  Min. at 500V/DC for 1Minute.
    - Contact Resistance(EIA-364-06): 30 m $\Omega$  Max.
    - Dielectric Withstanding Voltage(EIA-364-20): No discharge, flashover or breakdown at 500V/AC 1Minute

4	COVER	1	LCP	UL94V-0, BLACK
3	SHELL	1	C2680R-H	PLATED NI
2	HOUSING	1	LCP	UL94V-0, BLACK
1	CONTACT	19	C2680R-H	PLATED Au
NO.	ITEM	Q'TY	DESCRIPTION	FINISH

TOLERANCE X.X ±0.35 X.XX ±0.25 X.XXX ±0.10 ANGLE ±2.0°	MODEL NAME: HDMI 180度19PSMT 无锁扣 10.5H 脚长2.7 加防生盖载体包装				DRAWN: DENGJU
	MODEL NO: WLDM-050B				CHECKED: YAOSHIXUAN
	UNIT: mm	SCALE: 1:1	REVISION: A	SHEET: 1/1	APPROVED: WUHUAMING
	DATE: 2017/05/09				
 深圳市兴万联电子有限公司 SHENZHEN XING WAN LIAN ELECTRONICS CO.,LTD.				DWG NO:	
				FILE: C	