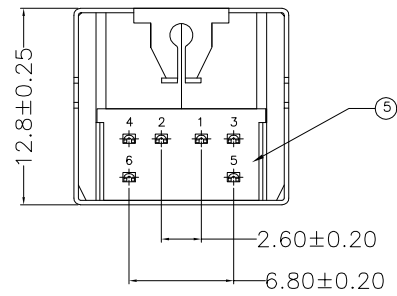
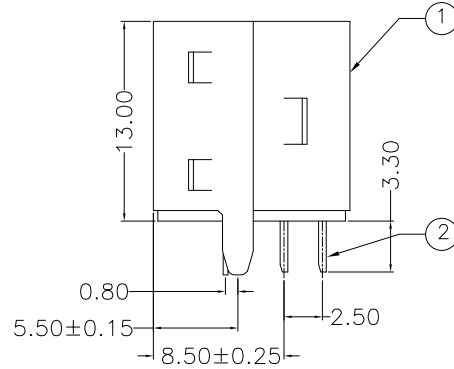
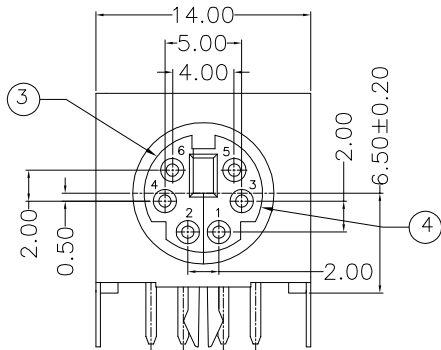
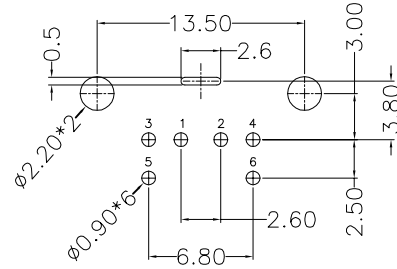
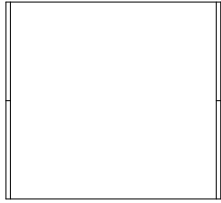


RoHS GP HF

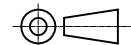
REV.	ECR/N NO.	DESCRIPTION	DRAWN	DATE
A	/	NEW	DENGJU	2021/05/12



主要技术特性要求:

- 使用条件:
环境温度: $-25 \sim 70^{\circ}$
相对湿度: 95% (40°)
- 额定负荷: DC12V 1A
- 接触电阻: $\leq 3m\Omega$
- 绝缘电阻: $\geq 100M\Omega$
- 耐压: 250V AC (50Hz) 1min
- 插拔力: 5-35N
- 寿命: 5000次

5	COVER	HIGH TEMPERATURE THERMOPLASTIC		BLACK
		TEMPERATURE THERMOPLASTIC		BLACK
4	MID-RIGHT	TEMPERATURE THERMOPLASTIC		GREEN
3	MID-LEFT	TEMPERATURE THERMOPLASTIC		PURPLE
2	CONTACT	COPPE RALLOY T=0.20	Au1u"PLATING ON CONTACT AREA. 100u"MIN. Sn PLATING ON SOLDER TAIL AREA. 50u"MIN. NICKEL UNDERPLATING OVERALL.	
1	SHELL	SPCC T=0.30	BRIGHT Sn 80u"Min OVER Ni 50u"Min	
	NAME	MATERIAL	PLATING	COLOR
TOLERANCE		MODEL NAME: 单层MID双色(紫绿) 针长3.3 外壳SPCC 端子半金锡1u" ROHS环保		DRAWN: DENGJU
X.X	±0.35	MODEL NO: WLMD-067A		CHECKED: WUXIAOTAO
X.XX	±0.25	UNIT:	SCALE:	REVISION:
X.XXX	±0.10	mm	1:1	A
ANGLE	±2.0°	SHEET		1/1
		DATE: 2021/05/12		APPROVED: WUHUAMING
		DWG NO:		FILE: C
		DATE: 2021/05/12		



WILCO 深圳市兴万联电子有限公司
SHENZHEN XING WAN LIAN ELECTRONICS CO., LTD.