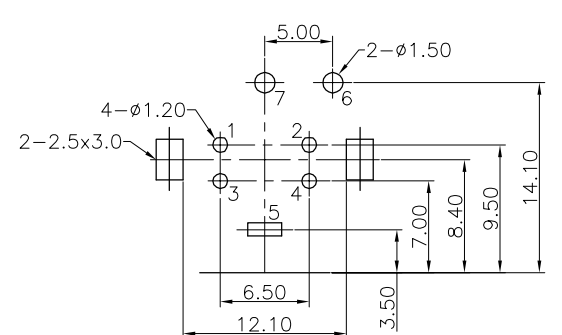
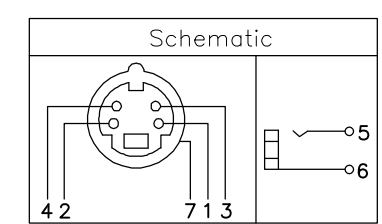
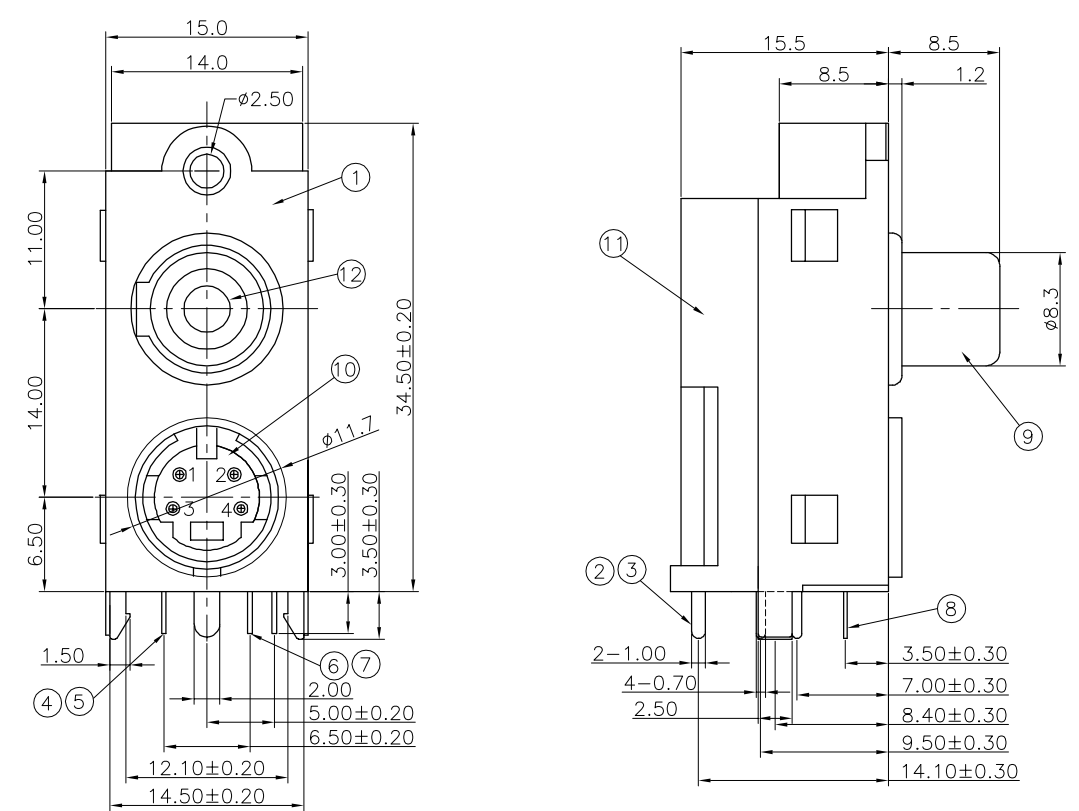


RoHS GP HF

MARK	ECN NO.	DESCRIPTION	DESIGN	DATE
A	—	NEW	—	—

NOTES:
 Current Rating: 2AMP.
 Insulation Resistance:
 RCA: 100MΩ Min.
 MINI DIN JACK: 50MΩ Min.
 Contact Resistance: 30 mΩ Max.
 Dielectric Withstanding Voltage:
 RCA: 500V/AC 1Minute.
 MINI DIN JACK: 250V/AC 1Minute.
 Mating Force:
 RCA: 3Kgf Max.
 MINI DIN JACK: 4.5Kgf Max.
 Unmating Force:
 RCA: 0.1-3.0Kgf.
 MINI DIN JACK: 0.5-3.0Kgf.



NO.	PART NAME	QT'Y	MATERIAL	REMARK
12	WASHER	1	PBT	YELLOW
11	HOUSING	1	PA66	BLACK
10	MDC HOUSING	1	PBT	BLACK
9	OUTER CONTACT	1	COPPER ALLOY T=0.30mm	Sn-PLATED
8	OUTER CONTACT	1	COPPER ALLOY T=0.30mm	Sn-PLATED
7	L-TERMINAL	1	COPPER ALLOY T=0.40mm	Sn-PLATED
6	S-TERMINAL	1	COPPER ALLOY T=0.40mm	Sn-PLATED
5	L-TERMINAL	1	COPPER ALLOY T=0.40mm	Sn-PLATED
4	S-TERMINAL	1	COPPER ALLOY T=0.40mm	Sn-PLATED
3	TERMINAL	1	COPPER ALLOY T=0.40mm	Sn-PLATED
2	EARTH TERMINAL	1	COPPER ALLOY T=0.30mm	Sn-PLATED
1	SEALED PLATE	1	COPPER ALLOY T=0.25mm	Sn-PLATED

Tolerance X.X ±0.20 X.XX ±0.10 X.XXX ±0.08 Angle ±1.0°	Model Name: S端子4P+AV JACK 底座PA66黑色环保 垫圈PBT黄色				Drawing: DENGJU	
	Model No: WLMD-060A				Checked: YAOSHIXUAN	
	UNIT:	SCALE:	REVISION:	SHEET	Approved: WUHUAMING	
	mm	FULL	A	1/1	Date: 2019.03.04	
深圳市兴万联电子有限公司 SHENZHEN XINGWANLIAN TECHNOLOGY CO.,LTD				DWG NO.		
				FILE: A		