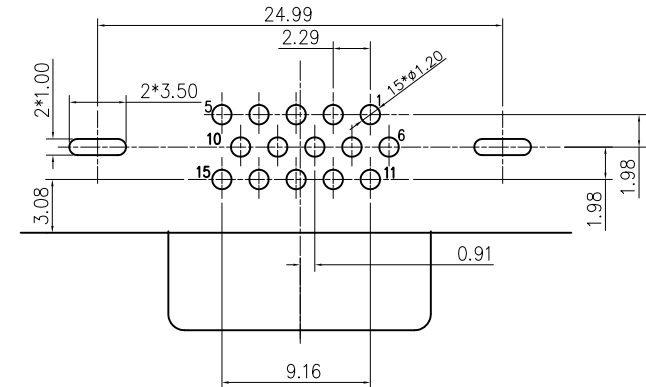
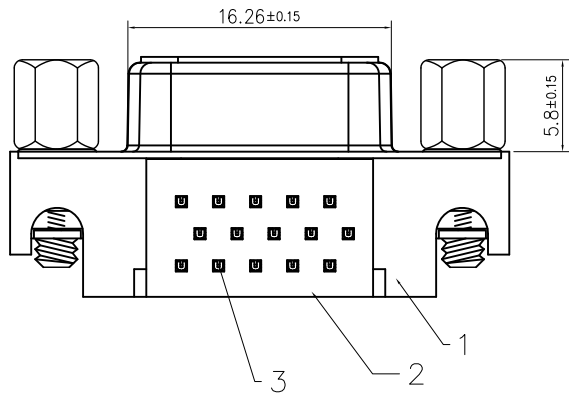
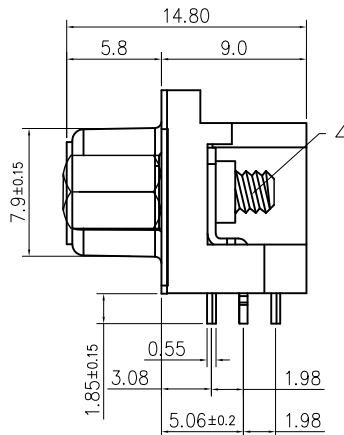
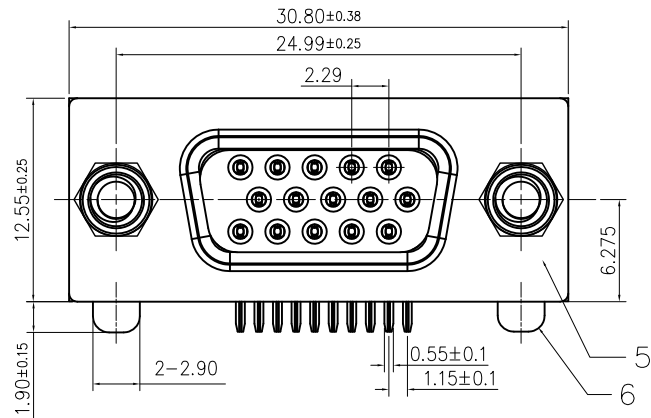
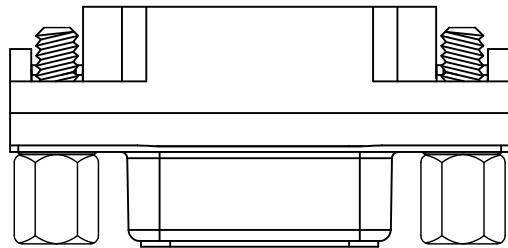


RoHS

GP

HF

Mark	ECN NO.	DESCRIPTION	DESIGN	Date:
A		New		



PCB Holes Diagram (Top View)

NOTES:

1.Material:

- 1.1 Housing:PBT Colour:Blue
- 1.2 Cover:PBT Colour:Blue
- 1.3 Contact:COPPER ALLOY T=0.20±0.02mm
- 1.4 Screw:1215MS
- 1.5 Shell:SPCC T=0.30±0.02mm
- 1.6 Boardlock:SPCC T=0.50±0.02mm

2.PLATING:

Contact: UNDER PLATED 50U"MIN NICKEL OVER ALL 80U"MIN TIN IN SOLDERING AREA OR CONTACT AREA
 Screw: UNDER PLATED 50U"MIN CU OVERALL 80U" MIN NICKEL
 Shell: UNDER PLATED 50U"MIN Cu OVERALL 80U" MIN NICKEL
 Boardlock: UNDER PLATED 50U"MIN CU UNDER PLATED 50U" MIN NICKEL OVERALL 80U" MIN TIN IN SOLDERING AREA

Tolerance X.X ±0.30 X.XX ±0.25 X.XXX ±0.15 Angle ±2.0°	Model Name: HDR 15母3.08直锁5.8螺丝 端子全锡长1.9 PBT蓝胶 C环保防火胶芯 固定片接地长1.9 载带包装				Drawing: DENGJU	
	Model No: WLHD-291A				Checked: YAOSHIXUAN	
	UNIT:	SCALE:	REVISION:	SHEET	Approved: WUHUAMING	
	mm	FULL	A	1/1	Date: 2017.06.08	
深圳市兴万联电子有限公司 SHENZHEN XINGWANLIAN TECHNOLOGY CO.,LTD				DWG NO.		
				FILE: C		