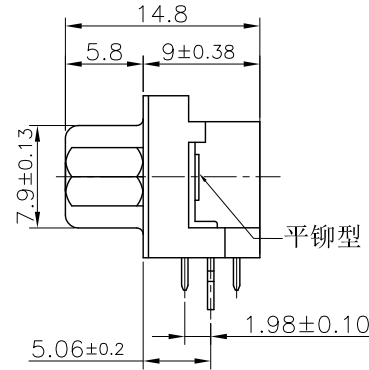
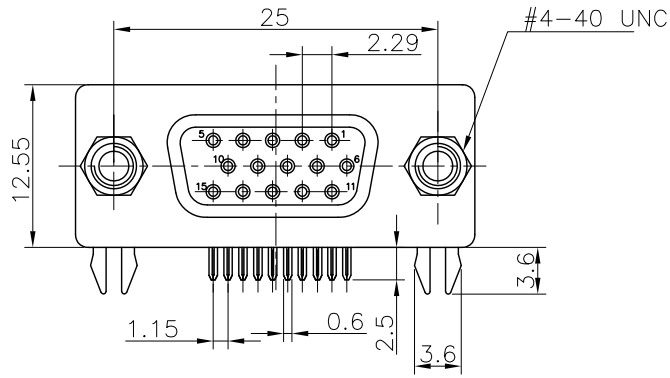


RoHS

GP

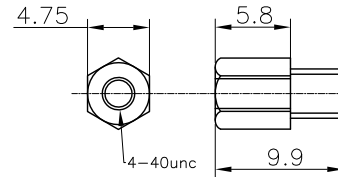
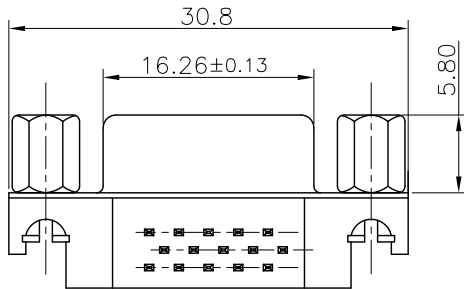
HF

REV.	ECR/N NO.	DESCRIPTION	DRAWN	DATE
A	/	NEW	DENGJU	2020/04/02

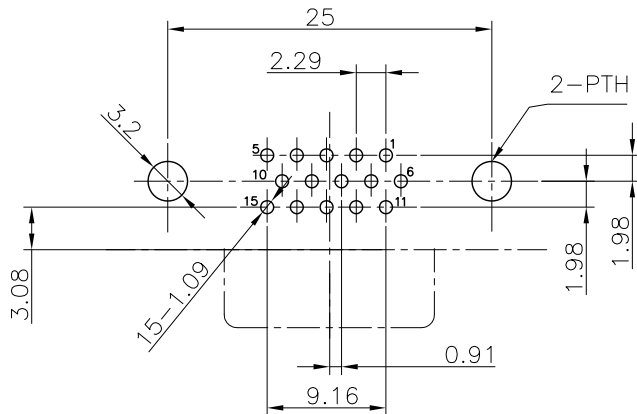


NOTES:

- *HOUSING:PBT+30%G/F UL94V-0 color: Blue
- *CONTACT:BRASS T=0.3
- *SHELL: SPCC T=0.3
- *SCREW:SPCC
- *GROUNDING:SPCC T=0.5
- *.ELECTRIC CHARACTERISTICS:
CONTACT CURRENT RATING: 3.0A MAX.;
CONTACT VOLTAGE RATING:100V DC;
CONTACT RESISTANCE: 30mΩ MAX.;
- DIELECTRIC WITHSTANDING VOLTAGE:500V AC/60S;
INSULATION RESISTANCE: 1000 MΩ MIN.AT DC 500V.
- *.MECHANICAL CHARACTERISTICS:
DURABILITY: 1000 CYCLES.
INSERTION AND EXTRACTION FORCE:
INSERTION FORCE: 50N MAX.
EXTRACTION FORCE: 5N MIN.
- *.ENVIRENMENT CHARACTERISTICS:
OPERATING TEMPERATURE.-25℃~+70℃
HUMIDTY:45-85% RH.
- CONTACT:
UNDER PLATED 50u"MIN Cu.
UNDER PLATED 50u"MIN NICKEL.
OVER ALL 100u"MIN TIN IN SOLDERING AREA OR CONTACT AREA
SHELL: UNDER PLATED 50u" MIN Cu.
OVER ALL 80u"MIN NICKEL
SCREW: UNDER PLATED 50u"MIN Cu.
OVER ALL 80u" MIN NICKEL
GROUNDING:UNDER PLATED 50u"MIN Cu.
UNDER PLATED 50u"MIN NICKEL.
OVER ALL 80u"MIN TIN IN SOLDERING AREA.



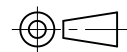
4.75*5.8*9.9 空心螺母



RECOMMENDED P.C.B LAYOUT(COMONENT SIDE)

THICKNESS:1.2mm(TOP VIEW))DEFAULT TOLERANCE ±0.05

TOLERANCE	MODEL NAME:HDR 15母3.08前铆5.8螺丝 蓝胶 筒易全铜 长2.5 C环保防火胶芯 SS冲孔鱼叉 外壳48H盐雾	DRAWN: DENGJU
X.X ±0.35	MODEL NO: WLHD-188A	CHECKED: WUXIAOTAO
X.XX ±0.25	UNIT: mm	APPROVED: WUHUAMING
X.XXX ±0.10	SCALE: 1:1	DATE: 2020/04/02
ANGLE ±2.0°	REVISION: A	DWG NO:
	SHEET: 1/1	FILE: C



WULCO 深圳市兴万联电子有限公司
SHENZHEN XING WAN LIAN ELECTRONICS CO., LTD.