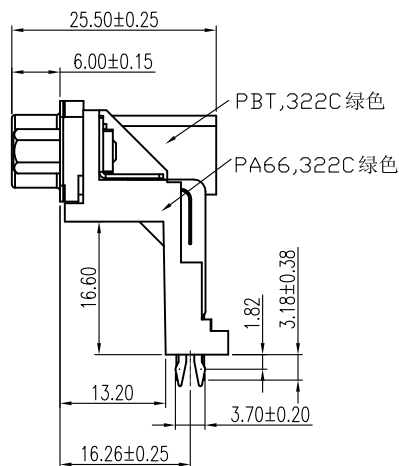
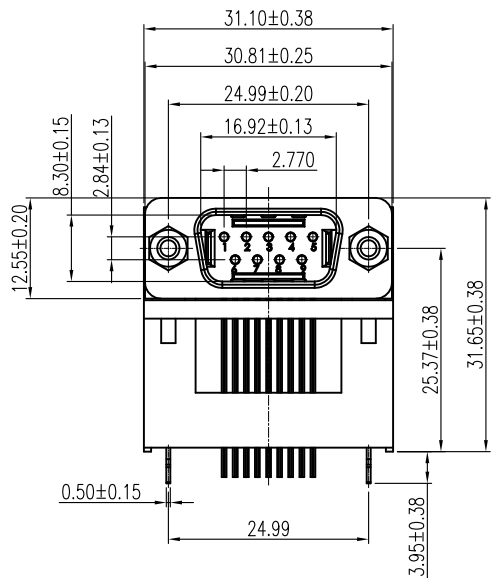


RoHS GP HF

REV.	ECR/N NO.	DESCRIPTION	DRAWN	DATE
A	/	NEW	DENGJU	2021/01/06

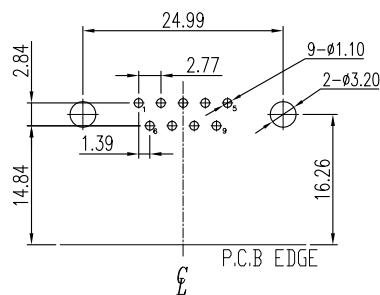
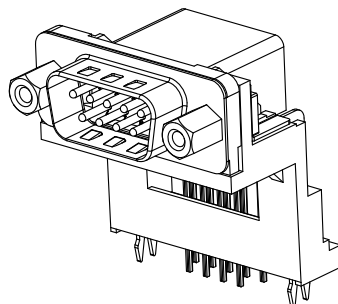
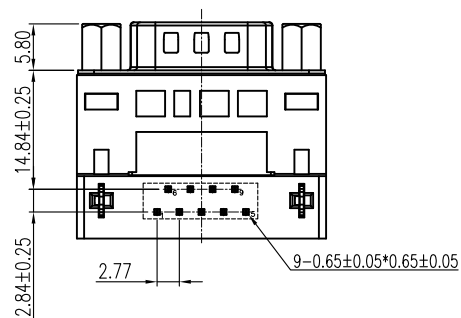


NOTES

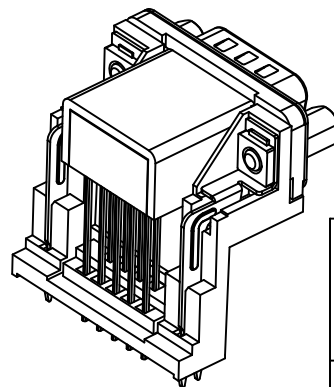
- MATERIAL:
 - Housing:PBT, UL 94V-0, Color:322C Green.
 - Bracket:PA66, UL 94V-0, Color:322C Green.
 - Terminal:Copper Alloy.
 - Shell:SPCC.
 - Boardlock:SPCC.
 - Rivet:Copper Alloy.
 - Screw:Steel.
- FINISH:
 - Terminal:Au G/F Plated over Nickel 50u"Min Plated at Contact Area. Matte Tin 100u"Min Plated over Nickel 50u"Min Plated at Solder Ared.
 - Shell:Nickel 50u" Min Plated.
 - Boardlock:Tin 100u" Min Plated.
 - Rivet:Nickel 50u" Min Plated.
 - Screw:Nickel 50u" Min Plated.

SPECIFICATIONS

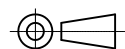
- D-SUB
 - Voltage: 250 VAC(RMS) Max.
 - Current Rating: 3 Ampere per Contact
 - Contact Resistance: 25 Milliohms Max.
 - Insulation Resistance: 5000 Megohms Min.
 - Dielectric Withstanding Voltage: 1000V AC(RMS)
 - Total Mating Force: 6.0 Kgf Max.
 - Total Unmating Force: 1.2 Kgf Min.
 - Operating Temperature: -55°C to +85°C



Recommended P.C.B Layout(Component Side)
Thickness:1.60mm(Top View) Default Tol ±0.05



TOLERANCE	MODEL NAME: DR 9公高架 铆锁5.8 针长3.18 PBT绿色 端子半金雾锡6.F	DRAWN: DENGJU
X.X ±0.35	MODEL NO: WLDR-246A	CHECKED: YOASHIXUAN
X.XX ±0.25	UNIT: mm	APPROVED: WUHUAMING
X.XXX ±0.10	SCALE: 1:1	DATE: 2021/01/06
ANGLE ±2.0°	REVISION: A	DWG NO:
	SHEET: 1/1	FILE: C
	SHENZHEN XING WAN LIAN ELECTRONICS CO., LTD.	



WLCO 深圳市兴万联电子有限公司