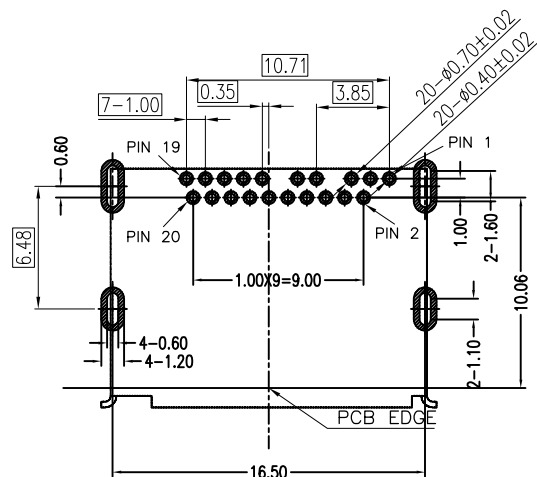
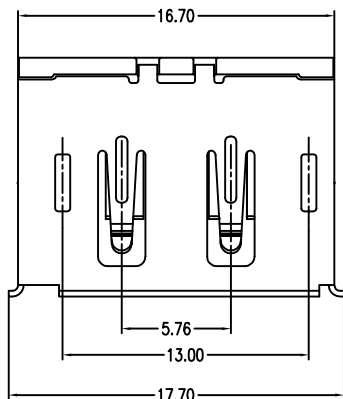
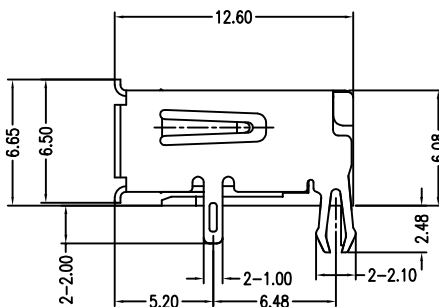
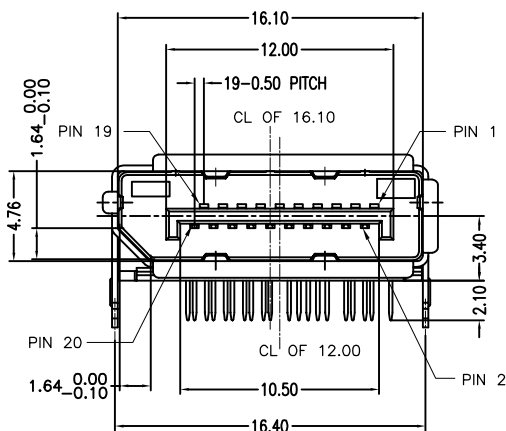


RoHS GP HF

REV.	ECR/N NO.	DESCRIPTION	DRAWN	DATE
A	/	NEW	DENGJU	2021/08/11



RECOMMEND PCB LAYOUT  
TOLERANCE: ±0.05  
TOP VIEW

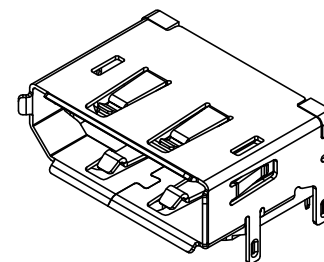


**MATERIALS**

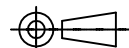
1. HOUSING :THERMOPLASTIC (UL 94V-0) BLACK.
2. TERMINAL : COPPER ALLOY,  
PLATING : GOLD PLATED ON CONTACT AREA,  
TIN PLATED ON SOLDER TAILS.
3. SHELL : COPPER ALLOY,  
PLATING : NICKEL PLATED OVERALL.

**SPECIFICATION**

1. CURRENT RATING : 0.5A. MAX.
2. DIELECTRIC WITHSTANDING VOLTAGE :  
500V AC R.M.S. FOR ONE MINUTE.
3. INSULATION RESISTANCE : 100MΩ MIN.  
AT 500V DC
4. CONTACT RESISTANCE : 30mΩ MAX.
5. OPERATING TEMPERATURE : -25°C TO +85°C.
6. DURABILITY : 10000 CYCLES.
7. MATING FORCE : 4.5kgf MAX.
8. UNMATING FORCE : 1.0kgf MIN.



TOLERANCE	MODEL NAME	DRAWN: DENGJU		
X.X ±0.35	DISPLAYPORT 20PIN 母座 90度 DIP 铜壳有卷边 无柱 前脚1.00MM ·后脚鱼叉型 L=12.60MM 针长2.1 端子半金镀G.F 吸塑包装			CHECKED: WUXIAOTAO
X.XX ±0.25	MODEL NO:	WLDP-054A		APPROVED: WUHUAMING
X.XXX ±0.10	UNIT:	SCALE:	REVISION:	DATE: 2021/08/11
ANGLE ±2.0°	mm	1:1	A	1/1
	DWG NO:			FILE: C



**WLCO** 深圳市兴万联电子有限公司  
SHENZHEN XING WAN LIAN ELECTRONICS CO.,LTD.