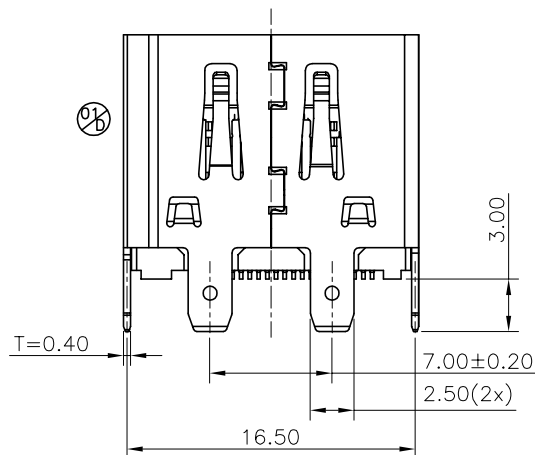
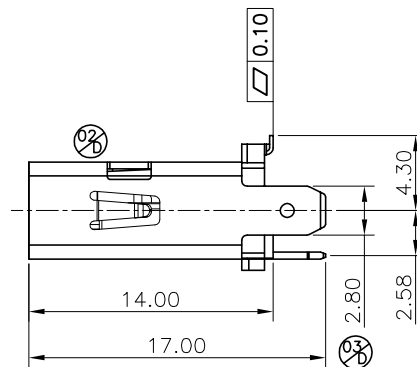
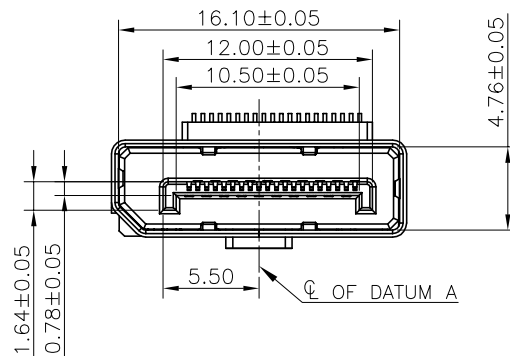
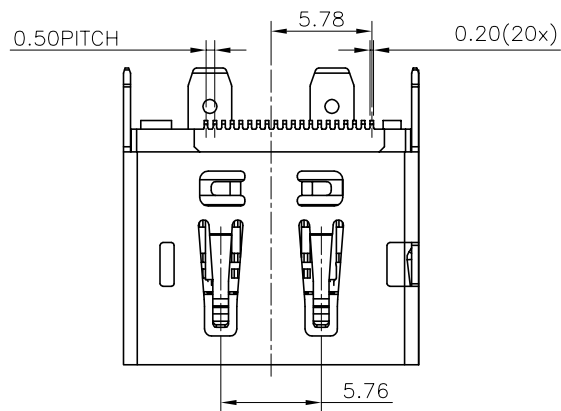


RoHS GP HF

REV.	ECR/N NO.	DESCRIPTION	DRAWN	DATE
A	/	NEW	HaiXiang	2017/05/24
B	/	MODIFY CAP	CHENLIANHUI	2020/03/26
C	/	Reducing the Cap Width Dim.	WUXIAOTAO	2020/11/28
D	/	外壳改为全斜边, 增加侧面弹片	ZOUJINSHUI	2021/09/15



1.MATERIAL SPECIFICATION:

- 1-1.HOUSING:LCP+40%G.F,COLOR:BLACK,UL 94 V-0;
- 1-2.CONTACT:BRASS;
- 1-3.FRONT SHELL : STAINLESS STEEL;

2.PLATING SPECIFICATION:

- 2-1.CONTACTS:  
Ni 50u" MIN. UNDER PLATED OVERALL;  
Au G/F PLATED ON THE FUNCTIONAL AREA OF CONTACT;  
100u" MIN MATTE TIN PLATED ON SOLDER AREA.

2-2.SHELL:

- Ni 30u" MIN PLATING ON SOLDER AREA.

3.MECHANICAL PERFORMANCE:

- 3-1.INSERTION FORCE:4.5 KGF MAX;
- 3-2.WITHDRAWAL FORCE:1.0~4.0 KGF;
- 3-3.DURABILITY:10000 CYCLES.

4.ELECTRICAL PERFORMANCE:

- 4-1.INSULATION RESISTANCE:  
A:UNMATED:100MΩ MIN. AT 500V DC;  
B:MATED:10MΩ MIN. AT 150V DC;
- 4-2.DIELECTRIC WITHSTAND VOLTAGE: 500V AC RMS.

5.HF COMPLIANT.

6.IR REFLOW:

- THE PEAK TEMPERATURE ON THE BOARD SHALL BE MAINTAINED FOR 10 SECONDS AT 260±5

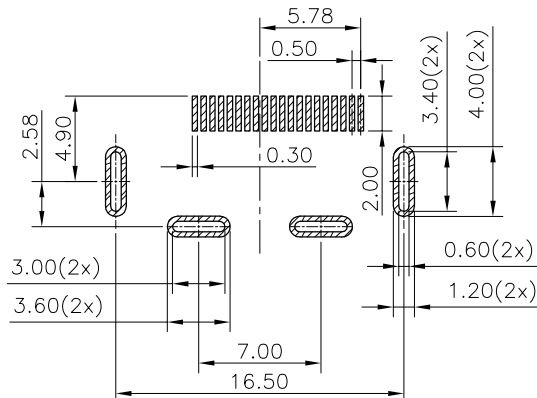
TOLERANCE	MODEL NAME: DP 180度14.0H SMT 外壳SIS无L000脚长3.0 端子半金穿锡G.F 外壳窗口全斜边 带吸阻盖我带包装	DRAWN: ZOUJINSHUI
X.X ±0.35	MODEL NO: WLDP-026B	CHECKED: WUXIAOTAO
X.XX ±0.25	UNIT: mm	APPROVED: WUHUAMING
X.XXX ±0.10	SCALE: 1:1	DATE: 2021/09/15
ANGLE ±1.0°	REVISION: D	DWG NO:
	SHEET 1/2	FILE: C
	 <b>深圳市兴万联电子有限公司</b> SHENZHEN XING WAN LIAN ELECTRONICS CO.,LTD.	

RoHS

GP

HF

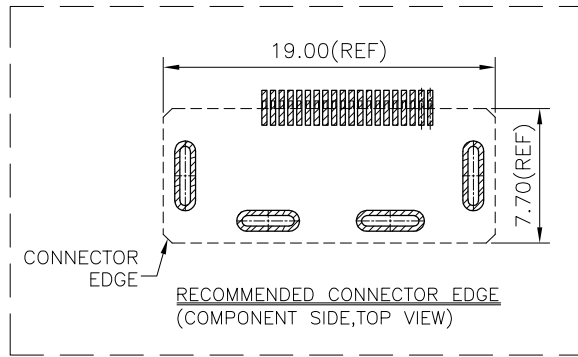
REV.	ECR/N NO.	DESCRIPTION	DRAWN	DATE
A	/	NEW	HaiXiang	2017/05/24
B	/	MODIFY CAP	CHENLIANHUI	2020/03/26
C	/	Reducing the Cap Width Dim.	WUXIAOTAO	2020/11/28
D	/	外壳改为全斜边, 增加侧面弹片	ZOUJINSHUI	2021/09/15



RECOMMENDED DP PCB LAYOUT(COMPONENT SIDE)  
THICKNESS=1.20±0.05 (TOP VIEW) DEFAULT TOL ±0.05

1.CONNECTOR SOLDER NOTES:

- 1-1. RECOMMENDED SOLDERING PADS THICKER 0.12MM MIN FOR GOOD SOLDERING.
- 1-2. SOLDERING PADS LENGTH AND WIDTH FOLLOW DRAWING ABOVE.
- 1-3. THE SOLDER PASTE SHOULD BE PRINT FULL SOLDERING PADS AREA.

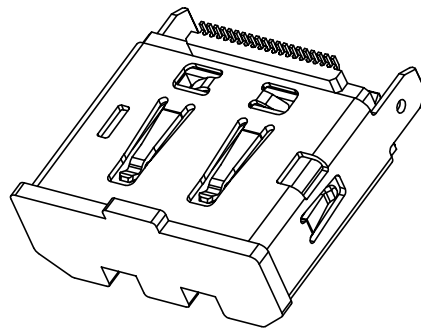
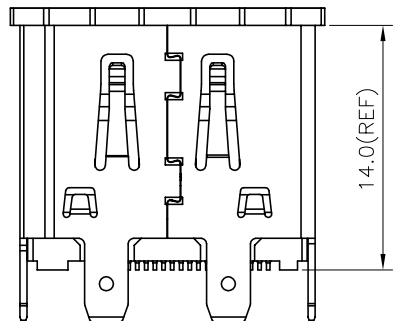
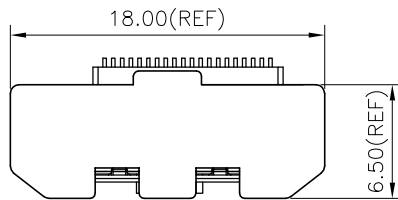


Connector Pin Assignment

PIN Number	Signal Type	Pin Name
1	In/Out	ML_Lane 3(n)/ML_Lane 0(p)
2	GND	GND
3	In/Out	ML_Lane 3 (p)/ML_Lane 0 (n)
4	In/Out	ML_Lane 2 (n)/ML_Lane 1 (p)
5	GND	GND
6	In/Out	ML_Lane 2 (p)/ML_Lane 1 (n)
7	In/Out	ML_Lane 1 (n)/ML_Lane 2 (p)
8	GND	GND
9	In/Out	ML_Lane 1 (p)/ML_Lane 2 (n)
10	In/Out	ML_Lane 0 (n)/ML_Lane 3 (p)
11	GND	GND
12	In/Out	ML_Lane 0 (p)/ML_Lane 3 (n)
13	CONFIG (see note1)	CONFIG1
14	CONFIG (see note1)	CONFIG2
15	I/O	AUX_CH (p)
16	GND	GND
17	I/O	AUX_CH (n)
18	Out/In	Hot Plug Detect
19	RTN	Return
20	Power Out/PWR Out (see note2)	DP_PWR

Notes:

- 1) Pin 13 and 14 must be connected to ground through a pull-down device. External devices and cable assemblies must be designed to not rely on a low impedance ground path from these pins.
- 2) Pin 20,PWR Out,must provide +3.3 volts±10% with a maximum current of 500mA and a minimum power capability of 1.5 watts.



WITH CAP

TOLERANCE	MODEL NAME: DP 180度14.0H SMT 外壳SIS无LOGO脚长3.0 端子半全穿锡.G.F 外壳窗口全斜边 带吸阻盖载带包装	DRAWN: ZOUJINSHUI
X.X ±0.35	MODEL NO: WLDP-026B	CHECKED: HUAMING.WU
X.XX ±0.25	UNIT: mm	APPROVED: HUAMING.WU
X.XXX ±0.10	SCALE: 1:1	DATE: 2021/09/15
ANGLE ±1.0°	REVISION: D	DWG NO: C-WLDP-026B
	SHEET: 2/2	FILE: C
	深圳市兴万联电子有限公司 SHENZHEN XING WAN LIAN ELECTRONICS CO.,LTD.	