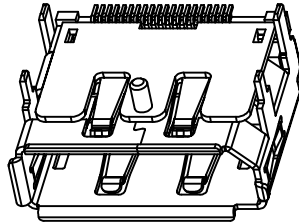
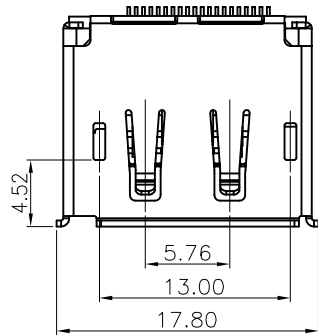


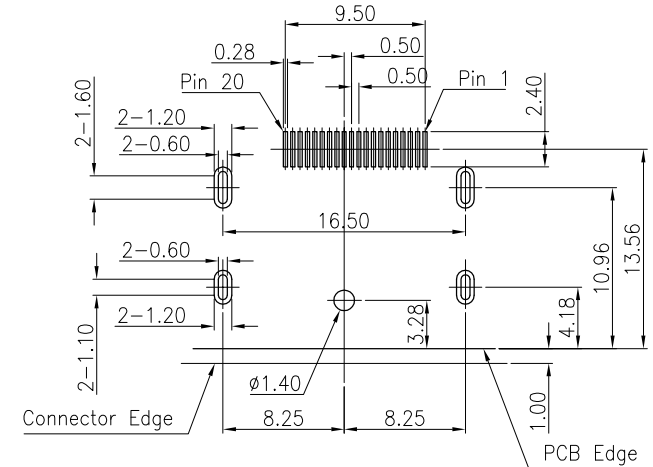
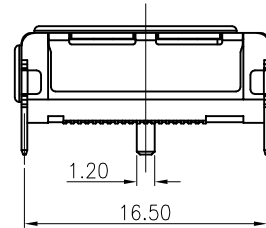
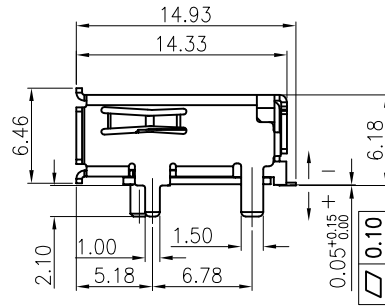
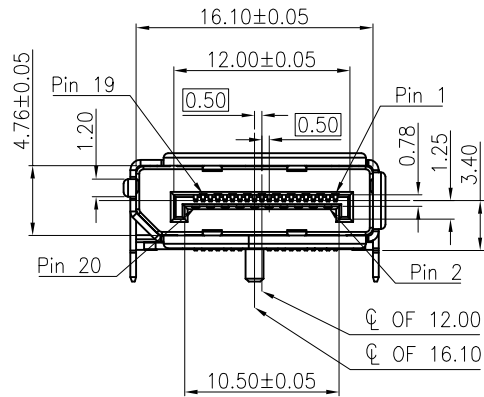
RoHS GP HF

REV.	ECR/N NO.	DESCRIPTION	DRAWN	DATE
A	/	NEW	DENGJU	2020/10/10

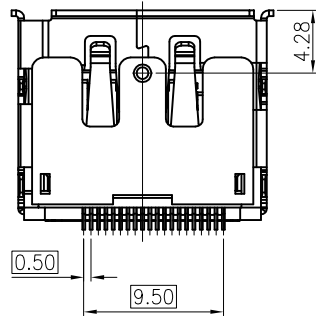


NOTE:

- MATERIAL:
 - HOUSING: LCP,UL94V-0; COLOR: BLACK
 - COVER: LCP,UL94V-0; COLOR: BLACK
 - CONTACT: COPPER ALLOY
 - SHELL: COPPER ALLOY
- FINISH:
 - CONTACT: 15U" AU PLATED ON CONTACT AREA, 100U" MATT TIN PLATED ON SOLDER TAILS, 50U" NICKEL UNDERPLATING OVER ALL.
 - SHELL: 100U" NICKEL UNDERPLATING OVER ALL.
- SPECIFICATION:
 - ELECTRICAL:
 - CONTACT CURRENT RATING: 0.5A
 - INSULATION RESISTANCE: 100mΩ Min.
 - CONTACT RESISTANCE: 30 mΩ Max.
 - DIELECTRIC WITHSTANDING VOLTAGE: 500V/AC 1MINUTE
 - MECHANICAL:
 - MATING FORCE: 4.5Kgf Max.
 - UNMATING FORCE: 1.0Kgf~4.0Kgf
 - DURABILITY: 10000 CYCLES.



RECOMMENDED PCB LAYOUT
(THICKNESS=1.6±0.15mm)



TOLERANCE	MODEL NAME: DP SMT TYPE 有弹 单柱 后脚宽1.5 端子半金雾锡15u LCP黑色 RoHS环保 PS载带包装	DRAWN: DENGJU
X.X ±0.35	MODEL NO: WLDP-011D	CHECKED: YAOSHIXUAN
X.XX ±0.25	UNIT: SCALE: REVISION: SHEET	APPROVED: WUHUAMING
X.XXX ±0.10	mm 1:1 A 1/1	DATE: 2020/10/10
ANGLE ±2.0°	 WLCO 深圳市兴万联电子有限公司 SHENZHEN XING WAN LIAN ELECTRONICS CO.,LTD.	DWG NO:
		FILE: C