

RoHS GP HF

Mark	ECN NO.	DESCRIPTION	DESIGN	Date:
A1		New	DENGJU	2020.01.07

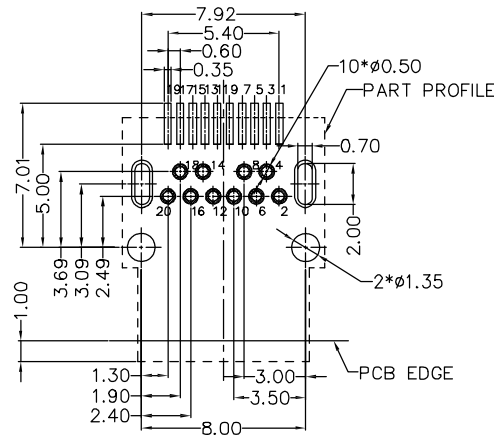
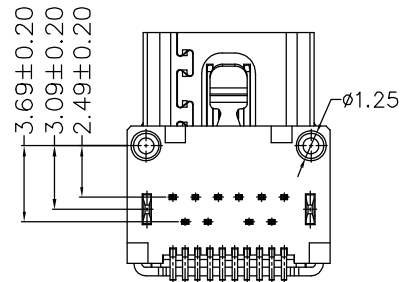
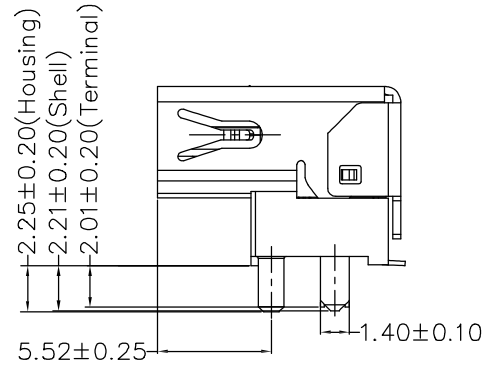
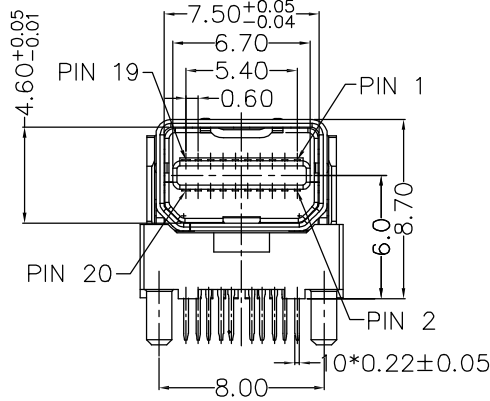
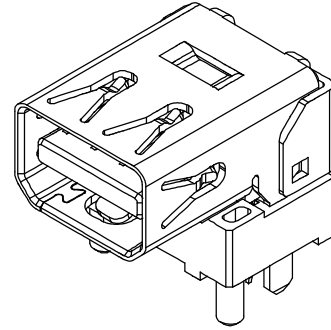
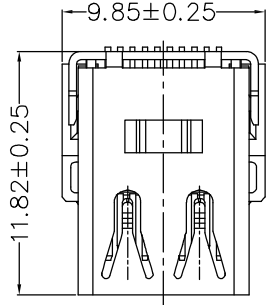
NOTE:

1.MECHANICAL CHARACTERISTICS

INSERTION FORCE: 44.1N MAX
 EXTROCTION FORCE: 9.8N MIN, 39.2N MAX
 Durability:10000 CYCLES

2.ELECTRICAL CHARACTERISTICS

RATING CURRENT: 0.5A
 RATING VOLTAGE: 40V
 CONTACT RESISTANCE: 30 MILLOHMS OHMS MAX
 INSULATION RESISTANCE:
 a, UNMATED: 100M OHMS MIN AT 500 VDC
 b, MATED: 10M OHMS MIN AT 150 VDC
 DIELECTRIC WITHSTANDING VOLTAGE: 300V AC/1MINUTE



RECOMMENDED PCB LAYOUT(TOLERANCE:0.05)
 COMPONENT SIDE

06	SHELL	STALNLESS STEEL (T=0.40)	NI
05	LOWER CONTACT	COPPER ALLOY (T=0.20)	Under Area:Ni Solder Area: Matte Tin
04	UPPER CONTACT	COPPER ALLOY (T=0.20)	Contact Area:Au
03	COVER	HIGH TEMP. PLASTIC (UL94V-0)	BLACK
02	LOWER HGS		BLACK
01	UPPER HGS		BLACK
NO.	NAME	MATERIAL	FINISH/COLOR

Tolerance	Model Name: Mini DISPLAY PORT 标准型母座			Drawing:	DENGJU
X.X ±0.25	Model No: WLDP-005A			Checked:	WUXIAOTAO
X.XX ±0.15	UNIT:	SCALE:	REVISION:	Approved:	WUHUAMING
X.XXX ±0.10	mm	FULL	A1	Date:	2020.01.07
Angle ±2.0°	DWG NO.			FILE:	C
	WLCO 深圳市兴万联电子有限公司 SHENZHEN XINGWANLIAN ELECTRONICS CO.,LTD				