

RoHS

GP

HF

REV.	ECR/N NO.	DESCRIPTION	DRAWN	DATE
A		NEW	MINGKNAG.CHENG	2021/01/29

NOTE:

1. MATERIAL:

- 1-1. HUGH-RISE DISPLAYPORT:
 - 1-1-1. HOUSING: LCP+25% G.,F; UL94V-0; COLOR: BLACK;
 - 1-1-2. COVER: LCP+25% G.,F; UL94V-0; COLOR: BLACK;
 - 1-1-3. CANTACTS: BRASS(C2680),T=0.20mm;
 - 1-1-4. FRONT SHELL: STAINLESS STEEL,T=0.20mm;
 - 1-1-5. BACK SHELL: STAINLESS STEEL,T=0.25mm;
 - 1-1-6. INTERIOR SHELL: STAINLESS STEEL,T=0.40mm.
- 1-2. HDMI RECEPTACLE:
 - 1-2-1. HOUSING: LCP+25% G.,F; UL94V-0; COLOR: BLACK;
 - 1-2-2. COVER: LCP+25% G.,F; UL94V-0; COLOR: BLACK;
 - 1-2-3. CAP: PA9T+30% G.,F; UL94V-0; COLOR: BLACK;
 - 1-2-4. BRACKET:PA9T+30% G.,F; UL94V-0; COLOR: BLACK;
 - 1-2-5. CANTACTS: BRASS(C2680),T=0.20mm;
 - 1-2-6. SHELL: BRASS,T=0.50mm;

2. PLATING SPECIFICATION:

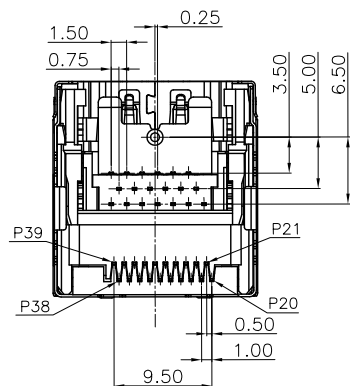
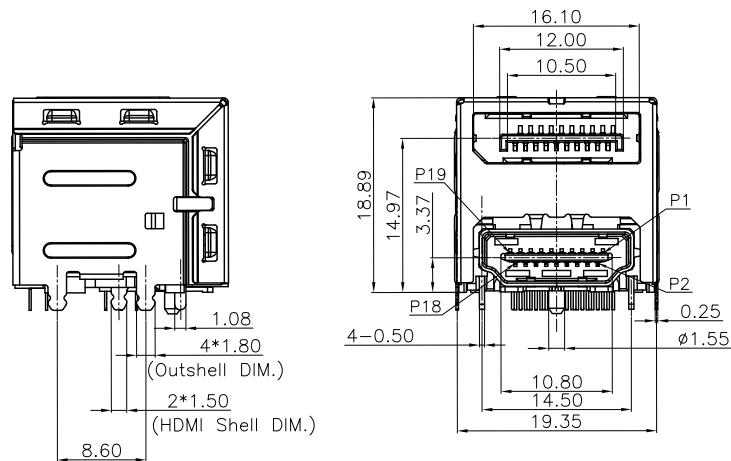
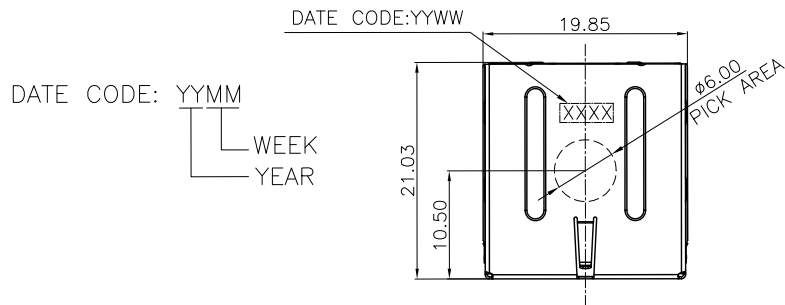
- 2-1. HUGH-RISE DISPLAYPORT:
 - 2-1-1. CANTACTS:
 - NI 50u" MIN. PLATED ON OVERALL. Au 15U".
 - PLATED ON THE FUNCTIONAL ARER OF CONTACT.
 - 2-1-2. FRONT SHELL:
 - MATTE Sn 50u" MIN. PLATED ON SOLDER AREA.
 - 2-1-3. BACK SHELL:
 - NI 50u" MIN. PLATED ON OVERALL.
 - 2-1-4. INTERIOR SHELL:
 - NI 50u" MIN. PLATED ON OVERALL.
- 2-2. HDMI RECEPTACLE:
 - 2-2-1. CANTACTS:
 - NI 50u" MIN. PLATED ON OVERALL. Au 15U".
 - PLATED ON THE FUNCTIONAL ARER OF CONTACT.
 - 2-2-2. SHELL:
 - MATTE Sn 50u" MIN. PLATED ON SOLDER AREA.
 - NI 50u" MIN. PLATED ON OVERALL.

3. SPECIFICATION:

- 3-1. ELECTRICAL:
 - INSULATION RESISTANCE: 100MΩ MIN.
 - CONTACT RESISTANCE: 30 mΩ MAX.
 - DIELECTRIC WITHSTANDING VOLTAGE: AC 500V FOR 1MINUTE
- 3-2. MECHANICAL:
 - INSULATION FORCE: 4.50Kgf MAX.
 - REMOVAL FORCE: 1.0~4.0Kgf

4. HF COMPLIANT.

- 5.HDMI:COMPLY WITH HDMI2.0 TECHNOLOGY ASSOCIATION SPECIFICATION REQUIREMENTS;
- 6.DP:COMPLY WITH DP1.4 TECHNOLOGY ASSOCIATION SPECIFICATION REQUIREMENTS.
- 7.MANUFACTURING LOCATION: SHENZHEN.CHINA.



TOLERANCE	MODEL NAME	DRAWN: CHENGMINGKANG		
X.X ±0.35	双层DP+HDMI 2.0版本 LCP黑胶 无卤环保 端子半金镀15U 端子C2680 针长1.70 外壳不锈钢镀口无卷边 不带WLCO 喷D/C	CHECKED: WUXIAOTAO		
X.XX ±0.25	MODEL NO: WLDM-011D	APPROVED: WUHUAMING		
X.XXX ±0.15	UNIT: SCALE: REVISION: SHEET	DATE: 2021/01/29		
ANGLE ±2.0°	mm 1:1 A 1/2	DWG NO:		
		FILE: C		



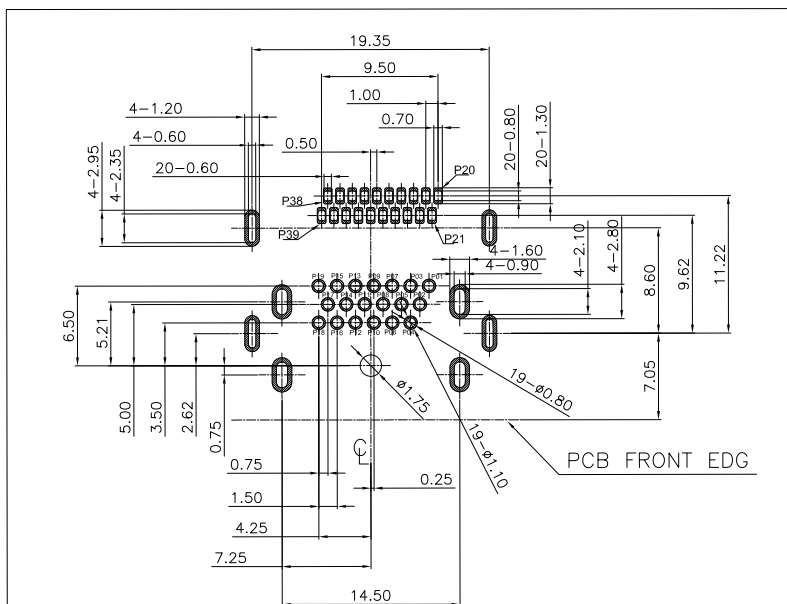
WLCO 深圳市兴万联电子有限公司
SHENZHEN XING WAN LIAN ELECTRONICS CO.,LTD.

RoHS

GP

HF

REV.	ECR/N NO.	DESCRIPTION	DRAWN	DATE
A		NEW	MINGKANG.CHENG	2021/01/29



RECOMMENDED P.C.B LAYOUT
THICKNESS:1.20mm(TOP VIEW)
DEFAULT TOL ±0.05

Pin Signal Assignment		
CATEGORY	1,2PIN SSGNMENT	3PIN SSGNMENT
1	TMDS Data2+	Data2+
2	TMDS Data2 Shield	Data2 Shield
3	TMDS Data2-	Data2-
4	TMDS Data1+	Data1+
5	TMDS Data1 Shield	Data1 Shield
6	TMDS Data1-	Data1-
7	TMDS Data0+	Data0+
8	TMDS Data0 Shield	Data0 Shield
9	TMDS Data0-	Data0-
10	TMDS Clock+	Clock+
11	TMDS Clock Shield	Clock Shield
12	TMDS Clock-	Clock
13	CEC	CEC
14	Utility	Utility
15	SCL	SCL
16	SDA	SDA
17	DCC/CEC Ground	DCC/CEC Ground
18	+5V Power	+5V Power
19	Hot Plug Detect	Hot Plug Detect
SHELL	Shield	Shield

Displayport Connector Pin Assignment			
Pin Number	Signal Type	Downstera connector pin assignment	Upstream connector pin assignment
20	In/Out	ML_Lane_0_P	ML_Lane_3_N
21	GND	GND	GND
22	In/Out	ML_Lane_0_N	ML_Lane_3_P
23	In/Out	ML_Lane_1_P	ML_Lane_2_N
24	GND	GND	GND
25	In/Out	ML_Lane_1_N	ML_Lane_2_P
26	In/Out	ML_Lane_2_P	ML_Lane_1_N
27	GND	GND	GND
28	In/Out	ML_Lane_2_N	ML_Lane_1_P
29	In/Out	ML_Lane_3_P	ML_Lane_0_N
30	GND	GND	GND
31	In/Out	ML_Lane_3_N	ML_Lane_0_P
32	Config(See Note)	CONFIG1	CONFIG1
33	Config(See Note)	CONFIG2	CONFIG2
34	I/O	AUX_CH_P	AUX_CH_P
35	GND	GND	GND
36	I/O	AUX_CH_N	AUX_CH_N
37	Out/In	Hot Plug Detect	Hot Plug Detect
38	RTN	Return	Return
39	Power Out/PWR Out (See Note2)	DP_PWR	DP_PWR

TOLERANCE	MODEL NAME: 双层DP+HDMI 2.0版本 LCP塑胶 无卤环保 端子半金锡15U	DRAWN: CHENGMINGKANG		
X.X ±0.35	MODEL NO: WLDM-011D	CHECKED: WUXIAOTAO		
X.XX ±0.25	UNIT: mm	SCALE: 1:1	REVISION: A	SHEET 2/2
X.XXX ±0.15	ANGLE ±2.0°	APPROVED: WUHUAMING		
		DATE: 2021/01/29		
	WLCO 深圳市兴万联电子有限公司	DWG NO:		
	SHENZHEN XING WAN LIAN ELECTRONICS CO., LTD.	FILE: C		