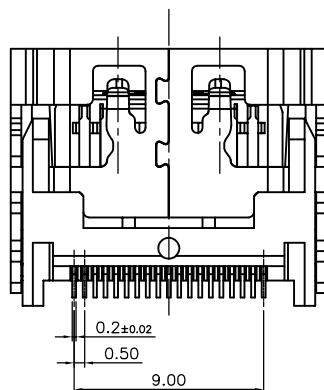
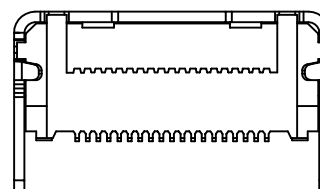
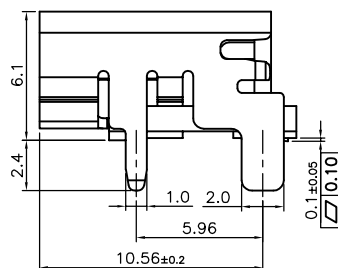
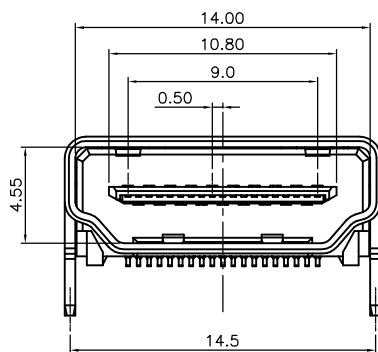
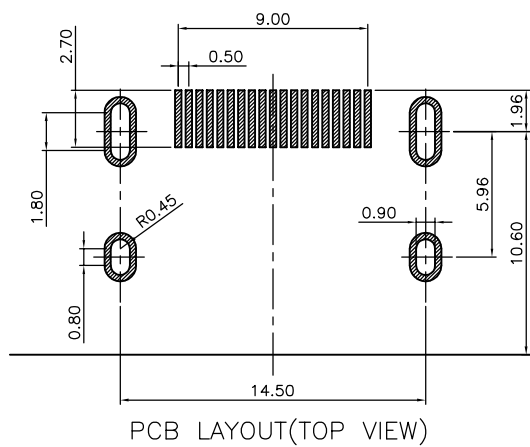
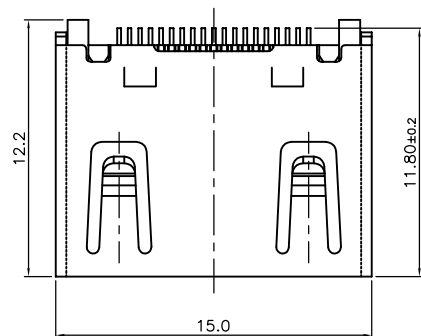


RoHS GP HF

REV.	ECR/N NO.	DESCRIPTION	DRAWN	DATE
A	/	NEW	YAOSHIXUAN	2013/06/20



NOTE:

1. MATERIAL:

- 1-1. HOUSING: LCP UL94V-0; COLOR: BLACK;
- 1-2. CONTACT: COPPER ALLOY
- 1-3. SHELL: COPPER ALLOY

2. FINISH:

- 2-1. CONTACT:  
Au PLATED ON CONTACT ARCA,  
MATTE TIN PLATED ON SOLDER TAILS,  
NICKEL UNDERPLATING OVER ALL.
- 2-2. SHELL:  
NICKEL UNDERPLATING OVER ALL.

3. SPECIFICATION:

- 3-1. ELECTRICAL:  
INSULATION RESISTANCE: (EIA-364-21):  
100MΩ MIN. AT 500V/DC FOR 1MINUTE  
CONTACT RESISTANCE:(EIA-364-06): 30 mΩ MAX.  
DIELECTRIC WITHSTANDING VOLTAGE:(EIA-364-20):  
NO DISCHARGE,FLASHOVER OR BERKDOWN AT 500V/AC  
1MINUTE

TOLERANCE	MODEL NAME: HDMI 19P SMT型 无耳有弹无侧弹 四脚不带卡点 前脚宽 1.0 塑胶底座剪短 (24mm胶带包装)	DRAWN: YAOSHIXUAN
X.X ±0.35	MODEL NO: WLDM-002A	CHECKED: WUHUAMING
X.XX ±0.25	UNIT: mm	APPROVED: WUHUAMING
X.XXX ±0.10	SCALE: 1:1	DATE: 2013/06/20
ANGLE ±2.0°	REVISION: A	DWG NO:
	SHEET: 1/1	FILE: C
	SHENZHEN XING WAN LIAN ELECTRONICS CO., LTD.	



**WLCO** 深圳市兴万联电子有限公司  
SHENZHEN XING WAN LIAN ELECTRONICS CO., LTD.