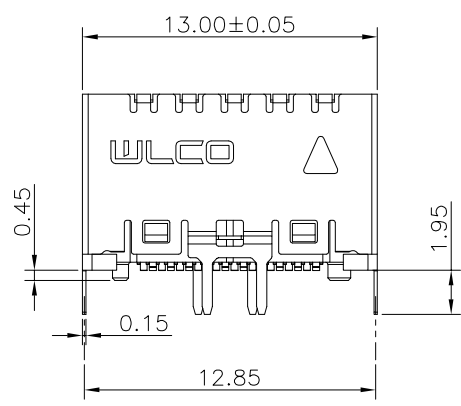
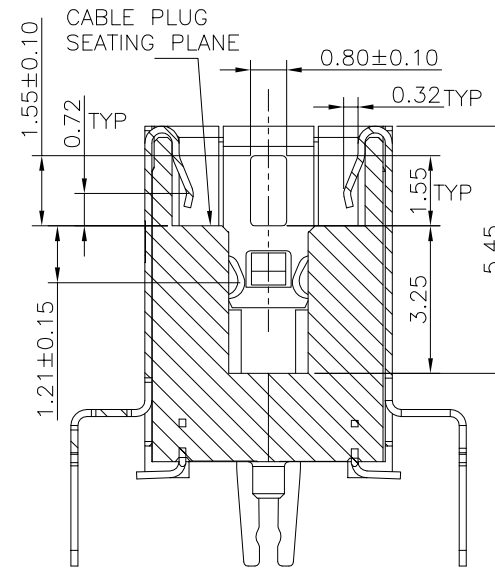
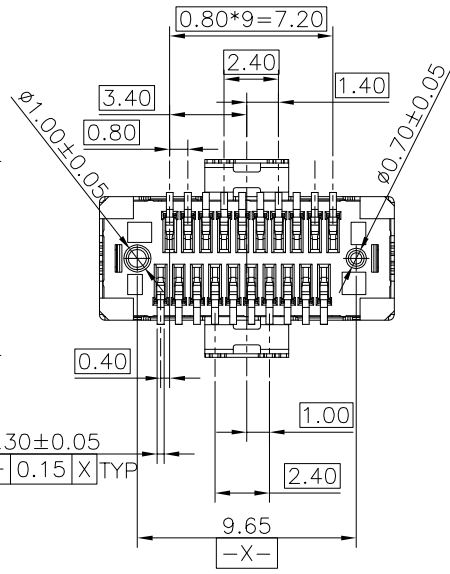
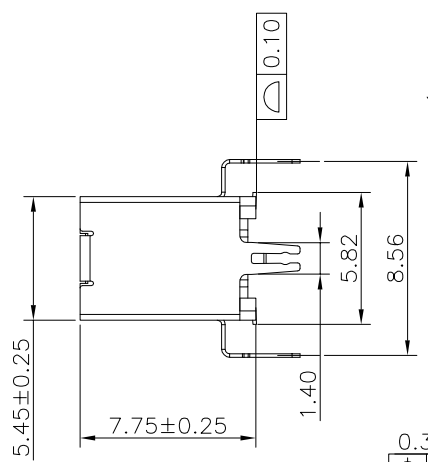
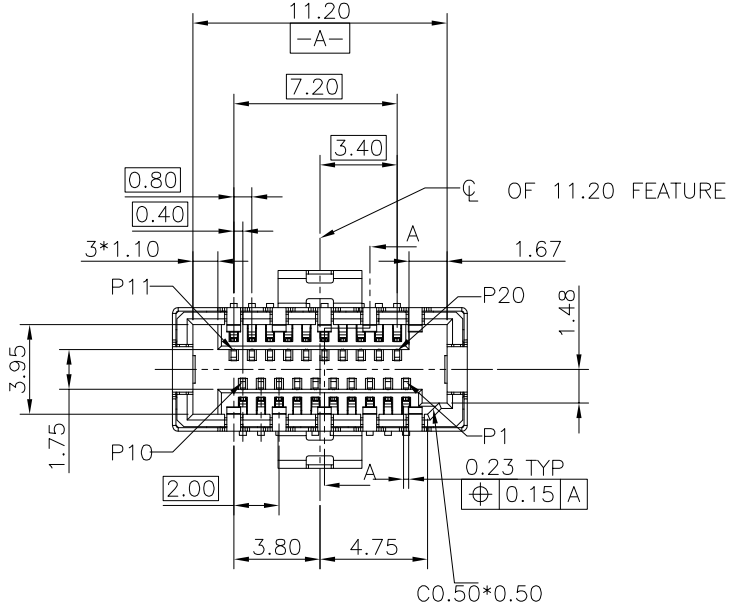
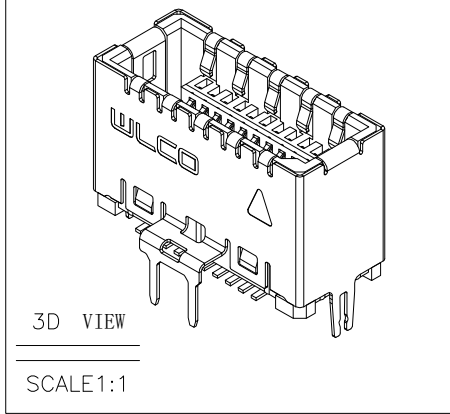
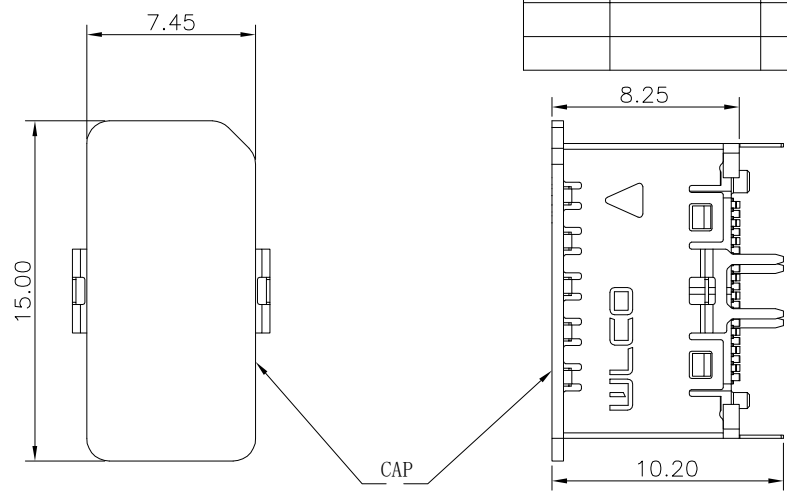
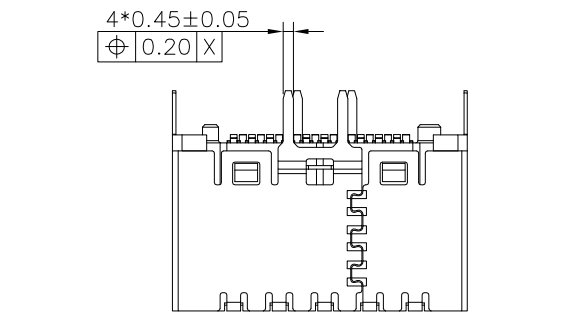
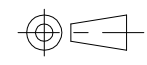


RoHS GP HF

REV.	ECR/N NO.	DESCRIPTION	DRAWN	DATE
A	—	NEW	LONGQIANG	20/09/09

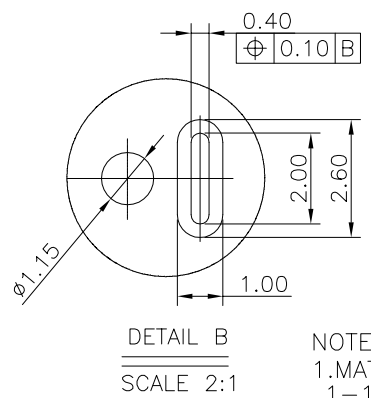
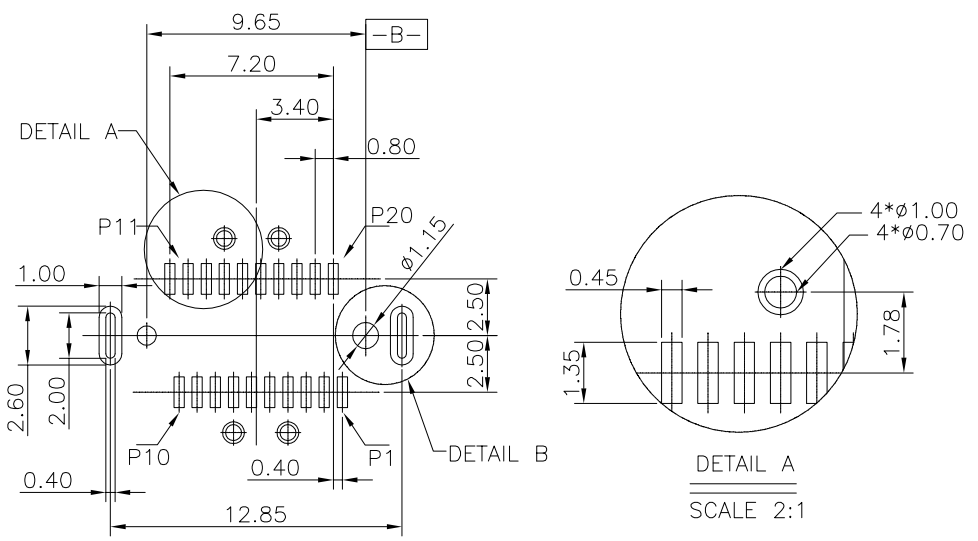


TOLERANCE	MODEL NAME: TYPE E KEY A SMT 带帽盖 带铁壳	DRAWN: LongQiang.Peng
X.X ±0.35	MODEL NO: SEE TABLE	CHECKED: LongQiang.Peng
X.XX ±0.25	UNIT: mm	APPROVED: YouHua.Cai
X.XXX ±0.10	SCALE: 1:1	DATE: 2020/09/09
ANGLE ±1.0°	REVISION: A	DWG NO: C-WLTE-20P01
	SHEET: 1/4	FILE: C



**WLCO** 深圳市兴万联电子有限公司  
SHENZHEN XING WAN LIAN ELECTRONICS CO., LTD.

REV.	ECR/N NO.	DESCRIPTION	DRAWN	DATE
A	—	NEW	LONGQIANG	20/09/09



RECOMMENDED PCB FOOTPRINT  
(CONNECTOR WITH SHELL)

ALL DIMENSIONS TOLERANCE  $\pm 0.05$

NOTES:

- MATERIAL SPECIFICATION:
  - HOUSING:HIGH TEMP THERMOPLASTIC UL94-V0;COLOR:BLACK
  - CONTACT:COPPER ALLOY;
  - SHELL:STAINLESS STEEL ALLOY;
  - CAP:HIGH TEMP THERMOPLASTIC UL94-V0;COLOR:BLACK
- PLATING SPECIFICATION:
  - CONTACT:
    - 50U NICKEL UNDERPLATED;
    - GOLD PLATING ON CONTACT AREA;
    - 100U MATTE TIN PLATING ON SOLDER AREA;
  - SHELL:
    - ONLY NICKEL PLATING;
    - OR NO PLATING;
- MECHANICAL PERFORMANCE:
  - INSERTION FORCE:35N MAX;
  - REMOVAL FORCE:15N MIN;
  - DURABILITY:50 CYCLES MIN;
- HSF COMPLIANT.
- SMT SOLDERING PROCESS
  - RECOMMENDED CONDITION FOR SMT SOLDERING:
    - PEAK TEMPERATURE 260°C 10-20S.

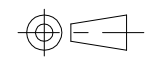
NO 1:PIN-OUT OF 20-PIN HEADER WITH ONE USB TYPE-C PORT

P1	P2	P3	P4	P5	P6	P7	P8	P9	P10
VBUS	TX1+	TX1-	GND	RX1+	RX1-	VBUS	CC1	SBU1	SBU2
CC2	D+	D-	GND	RX2-	RX2+	GND	TX2-	TX2+	VBUS
P20	P19	P18	P17	P16	P15	P14	P13	P12	P11

NO 2:PIN-OUT OF 20-PIN CONNECTOR FOR SUPPORTING ONE STANDARD-A PORT

P1	P2	P3	P4	P5	P6	P7	P8	P9	P10
VBUS	TX1+	TX1-	GND	RX1+	RX1-	VBUS	CC1		
	D+	D-	GND			GND			VBUS
P20	P19	P18	P17	P16	P15	P14	P13	P12	P11

TOLERANCE	MODEL NAME: TYPE E KEY A SMT 带帽盖 带铁壳	DRAWN: LongQiang.Peng
X.X $\pm 0.35$	MODEL NO: SEE TABLE	CHECKED: LongQiang.Peng
X.XX $\pm 0.25$	UNIT: mm	APPROVED: YouHua.Cai
X.XXX $\pm 0.10$	SCALE: 1:1	DATE: 2020/09/09
ANGLE $\pm 1.0^\circ$	REVISION: A	DWG NO:C-WLTE-20P01
	SHEET 2/4	FILE: C



**WILCO** 深圳市兴万联电子有限公司  
SHENZHEN XING WAN LIAN ELECTRONICS CO., LTD.

1  
RoHS


2  
GP

3  
HF

REV.	ECR/N NO.	DESCRIPTION	DRAWN	DATE
A	—	NEW	LONGQIANG	20/09/09

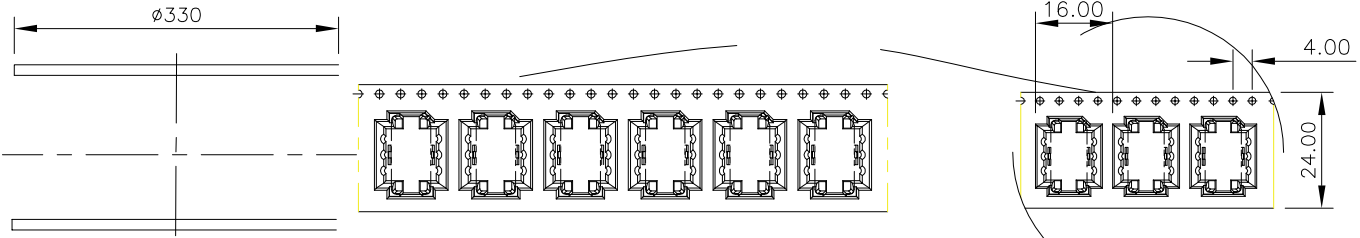
TABLE

NO.	PART NO.	SPECIFICATION	HSF COMPLIANT
1	WLTE-001A	HOUSING_LCP BLACK UL94-V0,CAP_LCP BLACK,CONTACT_C7025 G/F Ni50u, SHELL_STAINLESS STEEL NICKEL PLATING.	RoHS COMPLIANT

TOLERANCE	MODEL NAME: TYPE E KEY A SMT 带帽盖 带铁壳				DRAWN: LongQiang.Peng	
X.X ±0.35	MODEL NO: SEE TABLE				CHECKED: LongQiang.Peng	
X.XX ±0.25	UNIT:	SCALE:	REVISION:	SHEET	APPROVED: YouHua.Cai	
X.XXX ±0.10	mm	1:1	A	3/4	DATE: 2020/09/09	
ANGLE ±1.0°	 <b>WLCO</b> 深圳市兴万联电子有限公司 SHENZHEN XING WAN LIAN ELECTRONICS CO., LTD.				DWG NO:C-WLTE-20P01	
					FILE: C	

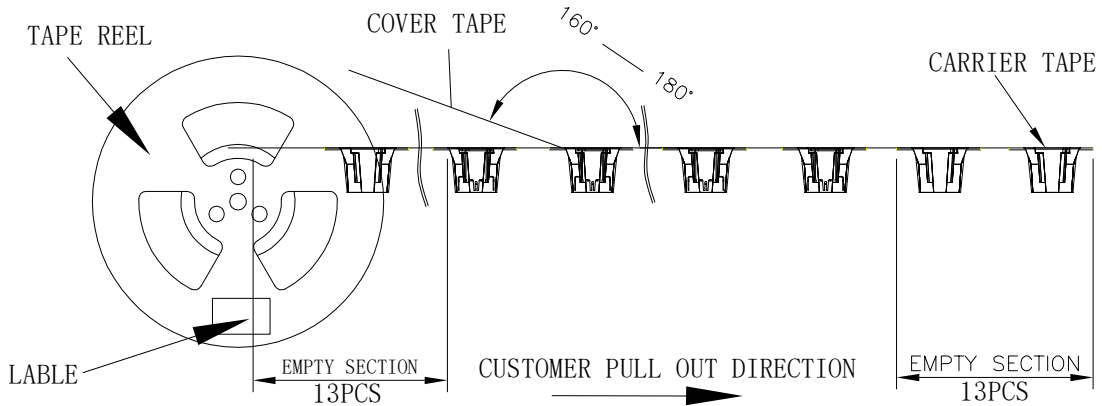
RoHS GP HF

REV.	ECR/N NO.	DESCRIPTION	DRAWN	DATE
A	—	NEW	LONGQIANG	20/09/09

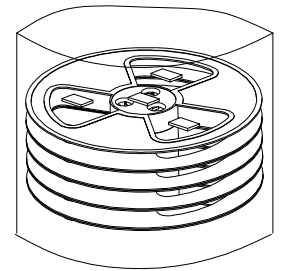


TYPE E PACKING MATERIAL

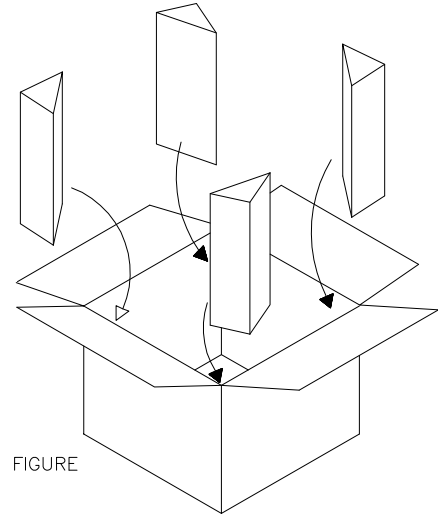
No.	NAME	P/N	SPEC (mm)	数量
1	TYPE E KEY A 20PIN	SEE DRAWING	SEE DRAWING	3200PCS
2	COVER TAPE	P-TPOXX	WIDE=21.3; T=0.05	FULL
3	CARRIER TAPE	P-TPOXX	WIDE=24; PITCH=16	FULL
4	TAPE REEL	P-PCOXX	330*24mm	8PCS
5	DESICCANT			3PCS
6	PE BAG	P-PEOXX	TO. 04*700*700mm	1PCS
7	PAPER ANGLE BEADS	P-GBOXX	(80+100+80)*235mm	4PCS
8	CARTON	P-OCOXX	L*W*H=340*340*250	1PCS
9	LABEL			1PCS



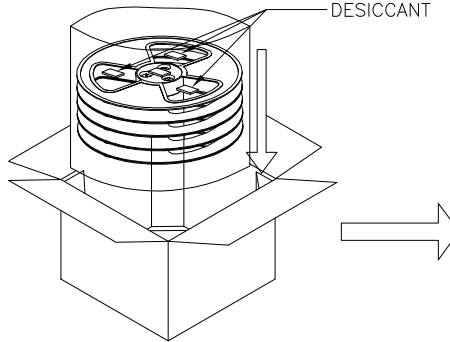
NOTES:  
 1: QUANTITY/REEL: 400PCS/REEL  
 2: QUANTITY/CARTON: 400\*8=3200PCS/CARTON



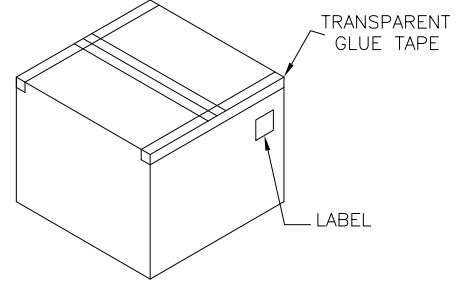
STEP 1: STACK 8 REELS UP AND THEN PACK IT WITH PE BAG AS SHOWN IN ABOVE FIGURE



STEP 2: PUT 4 PAPER ANGLE BEADS INTO CARTON.

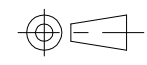


STEP 3: THEN PUT 8 REELS INTO CARTON.



STEP 4: SEAL THE CARTON AND THEN PASTE THE LABEL ON THE CORRECT POSITION.

TOLERANCE	MODEL NAME: TYPE E KEY A SMT 带帽盖 带铁壳	DRAWN: LongQiang.Peng
X.X ±0.35	MODEL NO: SEE TABLE	CHECKED: LongQiang.Peng
X.XX ±0.25	UNIT: mm	APPROVED: YouHua.Cai
X.XXX ±0.10	SCALE: 1:1	DATE: 2020/09/09
ANGLE ±1.0°	REVISION: A	DWG NO: C-WLTE-20P01
	SHEET: 4/4	FILE: C



**WLCO** 深圳市兴万联电子有限公司  
 SHENZHEN XING WAN LIAN ELECTRONICS CO., LTD.