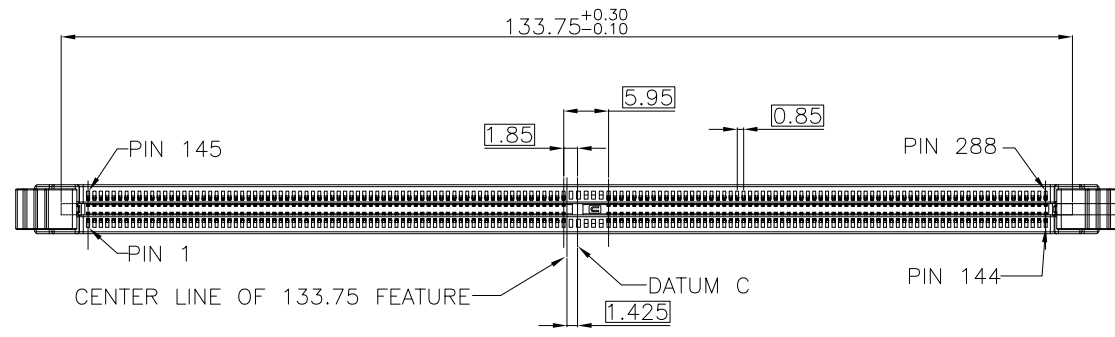
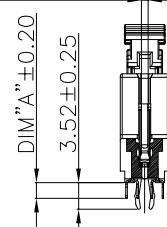


RoHS GP HF

REV.	ECR/N NO.	DESCRIPTION	DRAWN	DATE
A	—	—	LongQiang	21/01/05
B	—	—	LongQiang	21/03/01
C	—	—	LongQiang	21/03/15

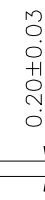


ACCEPT
1.27±0.10 CARD

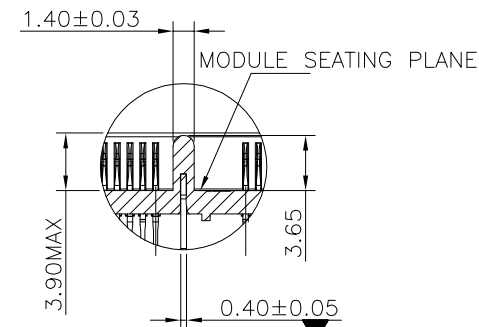
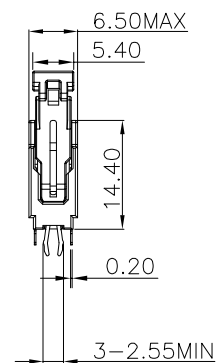
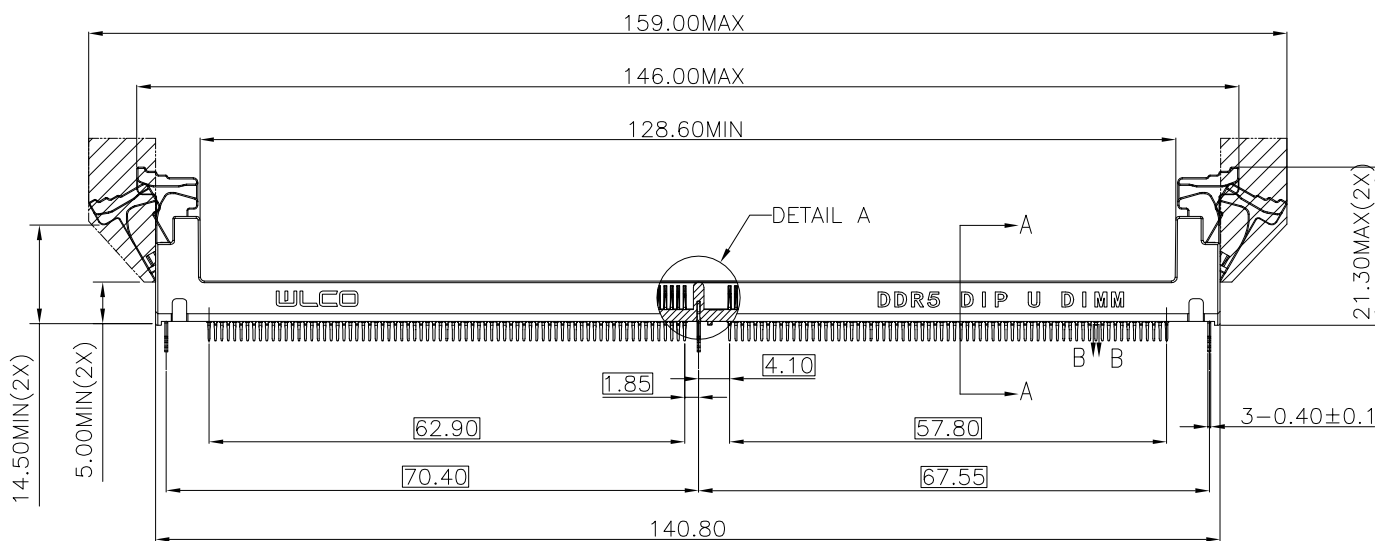


SEC A-A
SCALE 1:1

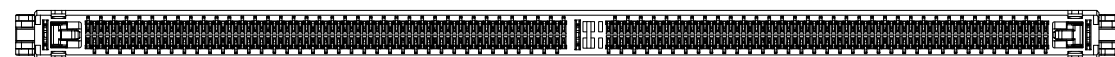
0.35±0.03



SOLDER TAIL SECTION
SEC B-B 10:1



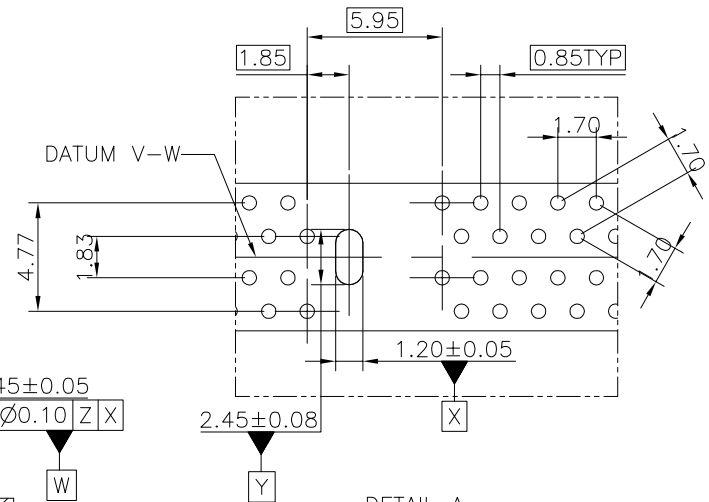
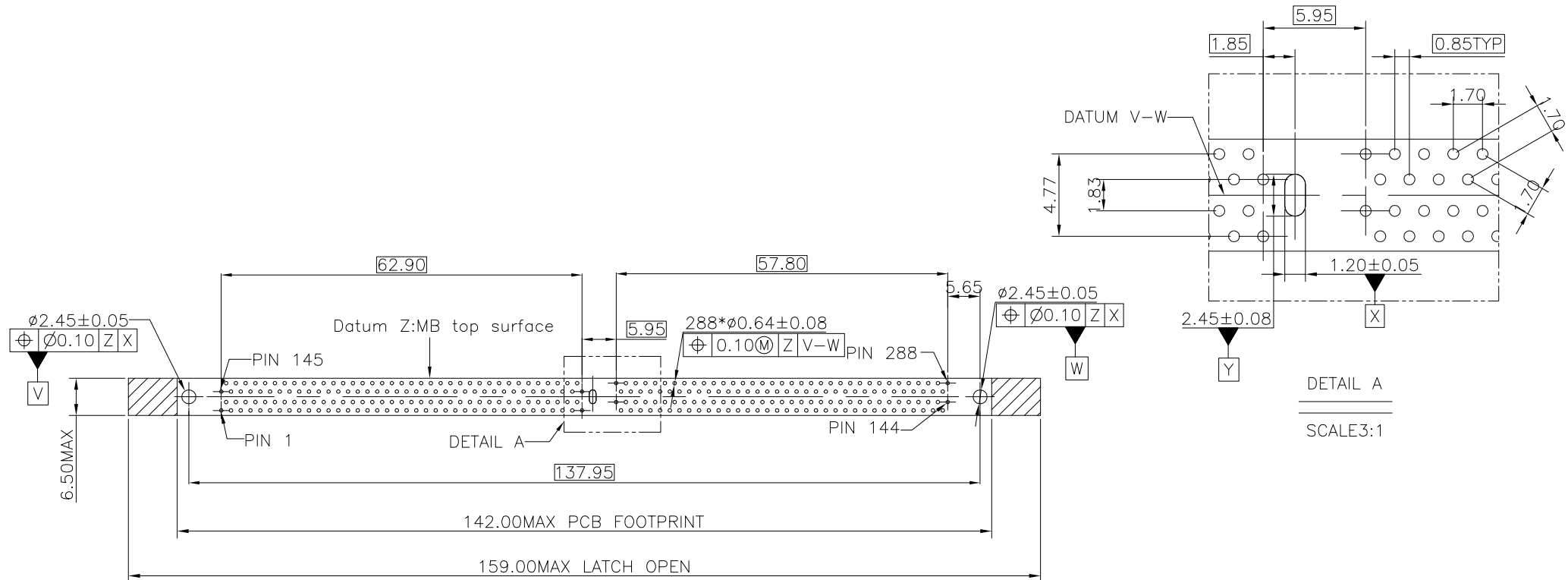
DETAIL A
SCALE 2:1



<p>TOLERANCE</p> <p>X.X ±0.35</p> <p>X.XX ±0.25</p> <p>X.XXX ±0.10</p> <p>ANGLE ±1.0°</p>	MODEL NAME: DDR5 288P DIP UDIMM DOUBLE LATCH TYPE				DRAWN: LongQiang.Peng
	MODEL NO: SEE TABLE				CHECKED: YouHua.Cai
	UNIT: mm	SCALE: 1:1	REVISION: C	SHEET 1/5	APPROVED: YouHua.Cai
	DATE: 2021/03/15				DWG NO: C-WLR5-288P03
<p>WLCO 深圳市兴万联电子有限公司</p> <p>SHENZHEN XING WAN LIAN ELECTRONICS CO., LTD.</p>				FILE: C	

RoHS GP HF

REV.	ECR/N NO.	DESCRIPTION	DRAWN	DATE
A	—	—	LongQiang	21/01/05
B	—	—	LongQiang	21/03/01
C	—	—	LongQiang	21/03/15



DETAIL A
SCALE 3:1

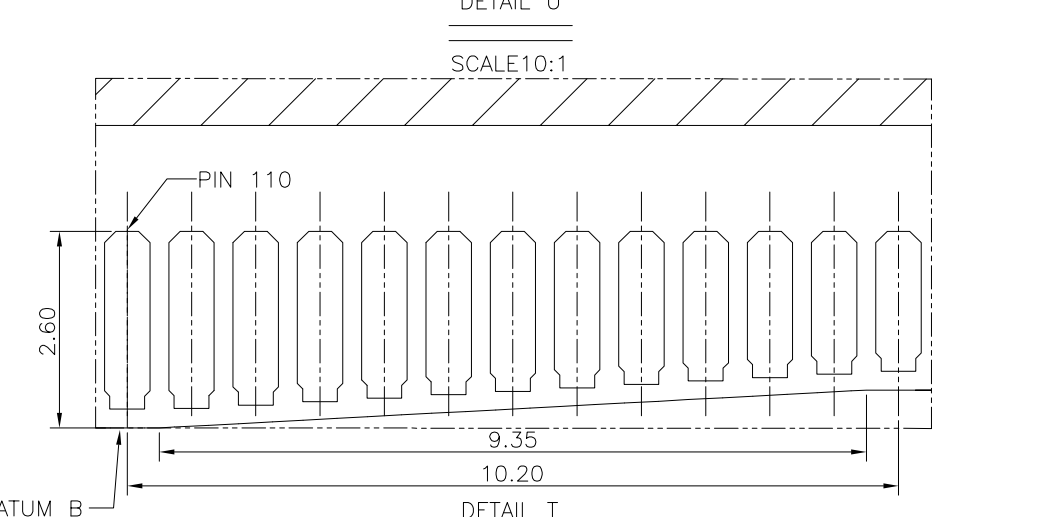
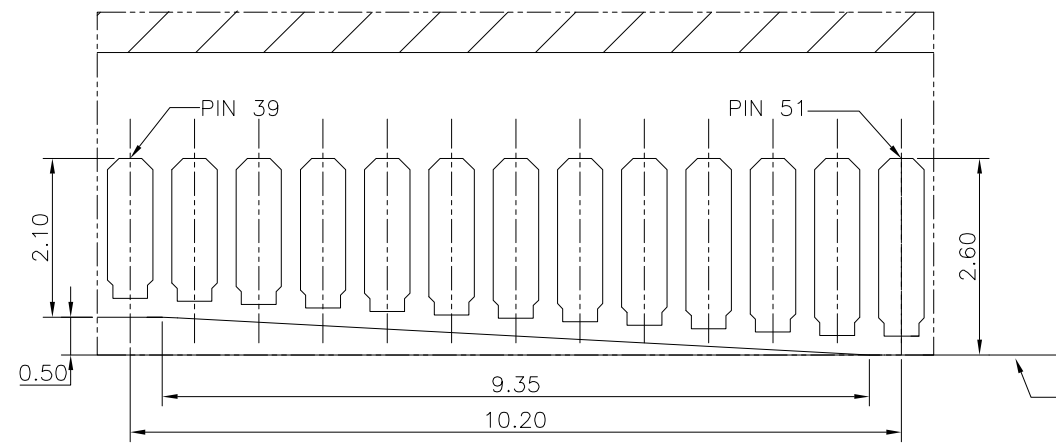
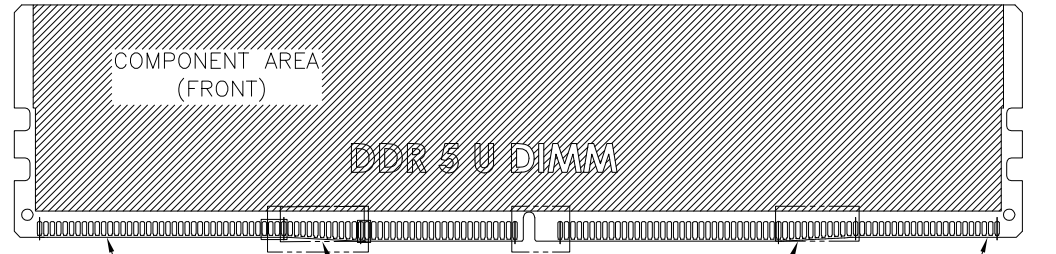
RECOMMENDED PCB FOOTPRINT
DEFAULT TOLERANCE ±0.05

RECOMMENDED PCB THICKNESS
DEFAULT TOLERANCE ±0.05

TOLERANCE X.X ±0.35 X.XX ±0.25 X.XXX ±0.10 ANGLE ±1.0°	MODEL NAME: DDR5 288P DIP UDIMM DOUBLE LATCH TYPE				DRAWN: LongQiang.Peng
	MODEL NO: SEE TABLE				CHECKED: YouHua.Cai
	UNIT:	SCALE:	REVISION:	SHEET	APPROVED: YouHua.Cai
	mm	1:1	C	2/5	DATE: 2021/03/15
WLCO 深圳市兴万联电子有限公司 SHENZHEN XING WAN LIAN ELECTRONICS CO.,LTD.				DWG NO:C-WLR5-288P03	
				FILE: C	

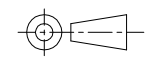
RoHS GP HF

REV.	ECR/N NO.	DESCRIPTION	DRAWN	DATE
A	—	—	LongQiang	21/01/05
B	—	—	LongQiang	21/03/01
C	—	—	LongQiang	21/03/15



- NOTES:
- MATERIAL SPECIFICATION
 - HOUSING:HIGH TEMPERATURE THERMOPLASTIC,UL94-V0 V2 OR HB;
 - LATCH:HIGH TEMPERATURE THERMOPLASTIC,UL94-V0 V2 OR HB;
 - CONTACT:COPPER ALLOY;
 - HOOK:STEEL ALLOY OR STIANLESS STEEL OR COPPER ALLOY;
 - PLATING SPECIFICATION
 - CONTACT:
 - 50U" MIN NICKEL UNDERPLATED;
 - GOLD/NICKEL PLATING ON THE CONTACT AREA;
 - 100U" MIN MATTE TIN PLATING ON THE SOLDER AREA;
 - HOOK:
 - ONLY NICKEL PLATING;
 - OR NO PLATING;
 - OR 50U" MIN NICKEL UNDERPLATED,100U" MIN MATTE TIN ;
 - MECHANICAL PERFORMANCE
 - INSERTION FORCE-MODULE TO CONNECTOR:106.8N MAX;
 - INSERTION FORCE-CONNECTOR TO BOARD:35N MAX;
 - RETENTION FORCE:300gf/PIN MIN;
 - DURABILITY:25 CYCLES;
 - UNMATING FORCE(PER PIN PAIR):19.77N MIN;
 - ELECTRICAL PERFORMANCE
 - CURRENT RATING:1.0A PER PIN MAX;
 - VOLTAGE RATING:1.1V±0.1V;
 - LLCR:40mΩ MAX (INITIAL);
 - INSULATION RESISTANCE:500V DC,1MΩ MIN;
 - DIELECTRIC WITHSTAND VOLTAGE:500V AC,NO BREAK DOWN;
 - HSF COMPLIANT;
 - DIP SOLDERING PROCESS
 - DIP SOLDERING PEAK TEMPERATURE SHALL BE:260°C 10SECONDS.
 - THE LATCH SHALL BE CLOSED WHEN USED TO SOLDER;

TOLERANCE	MODEL NAME:DDR5 288P DIP UDIMM DOUBLE LATCH TYPE	DRAWN:	LongQiang.Peng
X.X ±0.35	MODEL NO: SEE TABLE	CHECKED:	YouHua.Cai
X.XX ±0.25	UNIT: mm	APPROVED:	YouHua.Cai
X.XXX ±0.10	SCALE: 1:1	DATE:	2021/03/15
ANGLE ±1.0°	REVISION: C	DWG NO:	C-WLR5-288P03
	SHEET: 4/5	FILE:	C



WLCO 深圳市兴万联电子有限公司
SHENZHEN XING WAN LIAN ELECTRONICS CO.,LTD.

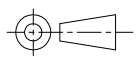
1 2 3 4 5 6 7 8

RoHS **GP** **HF**

REV.	ECR/N NO.	DESCRIPTION	DRAWN	DATE
A	—	—	LongQiang	21/01/05
B	—	—	LongQiang	21/03/01
C	—	—	LongQiang	21/03/15

TABLE

NO.	PART NO.	SPECIFICATION	HSF COMPLIANT	DIM"A"	DIM"B"
1	WLR5-003A	HOUSING_PA6T BLACK UL94-V0,LATCH_PA66 BLACK,CONTACT_C5191 15U Ni50u, HOOK_BRASS NICKEL PLATING.	RoHS COMPLIANT	2.10mm	1.3-1.6mm

TOLERANCE X.X ±0.35 X.XX ±0.25 X.XXX ±0.10 ANGLE ±1.0°	MODEL NAME:DDR5 288P DIP UDIMM DOUBLE LATCH TYPE				DRAWN: LongQiang.Peng	
	MODEL NO: SEE TABLE				CHECKED: YouHua.Cai	
	UNIT:	SCALE:	REVISION:	SHEET	APPROVED: YouHua.Cai	
	mm	1:1	C	5/5	DATE: 2021/03/15	
		WLCO 深圳市兴万联电子有限公司 SHENZHEN XING WAN LIAN ELECTRONICS CO.,LTD.			DWG NO:C-WLR5-288P03 FILE: C	