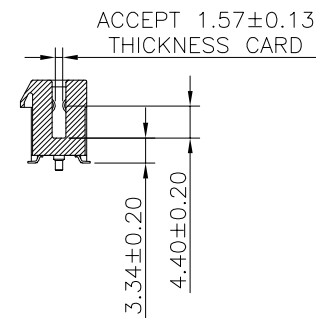
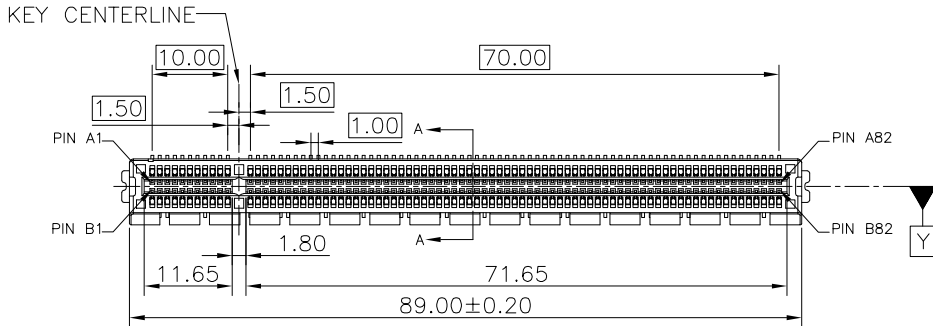
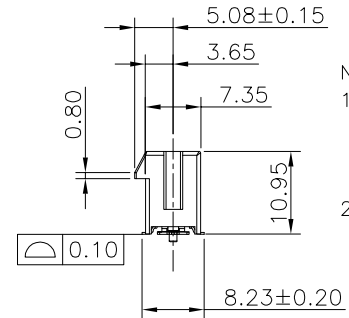
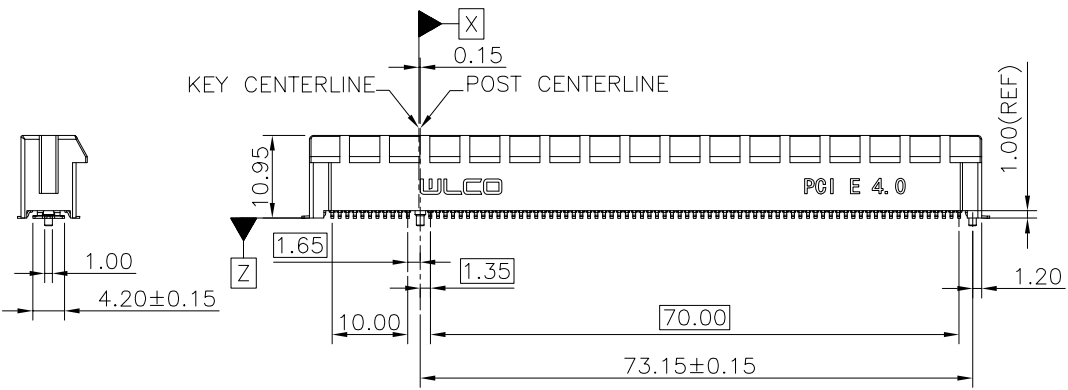


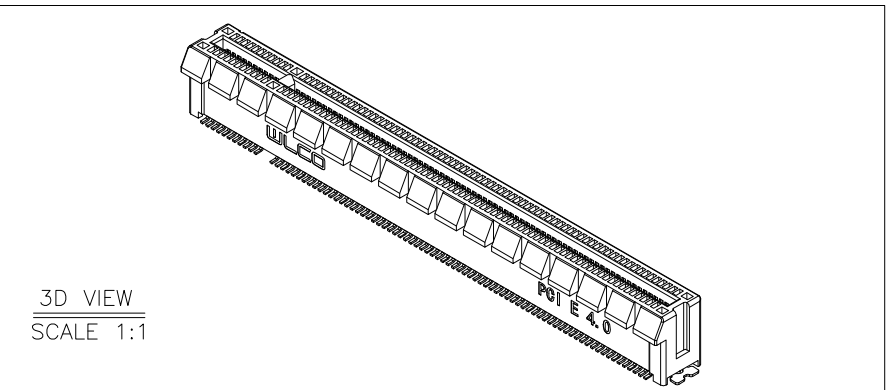
REV.	ECR/N NO.	DESCRIPTION	DRAWN	DATE
A	—	—	LongQiang	20/11/19
B	—	—	XiaoPeng	21/03/29



SECTION A-A
SCALE 1:1

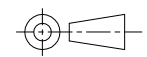


- NOTES:
- MATERIAL SPECIFICATION:
 - 1-1.HOUSING:HIGH TEMP THERMOPLASTIC UL94-V0 V2 OR HB;
 - 1-2.CONTACT:COPPER ALLOY;
 - 1-3.HOOK:STELL ALLOY OR COPPER ALLOY;
 - PLATING SPECIFICATION:
 - 2-1.CONTACT: 50U NICKEL UNDERPLATED; GOLD/NICKEL PLATING ON CONTACT AREA; 100U MATTE TIN PLATING ON SOLDER AREA;
 - 2-2.HOOK: 50U NICKEL PLATING; OR NO PLATING; OR 50U NICKEL UNDERPLATED AND 100U MATTE TIN ;
 - MECHANICAL PERFORMANCE:
 - 3-1.INSERTION FORCE:1.15N MAX PER PIN PAIR;
 - 3-2.REMOVAL FORCE:0.15N MIN PER PIN PAIR;
 - 3-3.DURABILITY:50 CYCLES MIN;
 - ELECTRICAL PERFORMANCE:
 - 4-1.CURRENT RATING:1.1A PER PIN MIN;
 - 4-2.LLCR:30mΩ MAX(INITIAL);
 - 4-3.INSULATION RESISTANCE:1000MΩ MIN;
 - 4-4.DIELECTRIC WITHSTAND VOLTAGE:500V AC MIN;
 - HSF COMPLIANT.
 - RECOMMENDED CONDITION FOR SMT SOLDERING:
 - PEAK TEMPERATURE SHALL BE 260+/-5°C
 - DURATION 10+/-1 SECONDS.



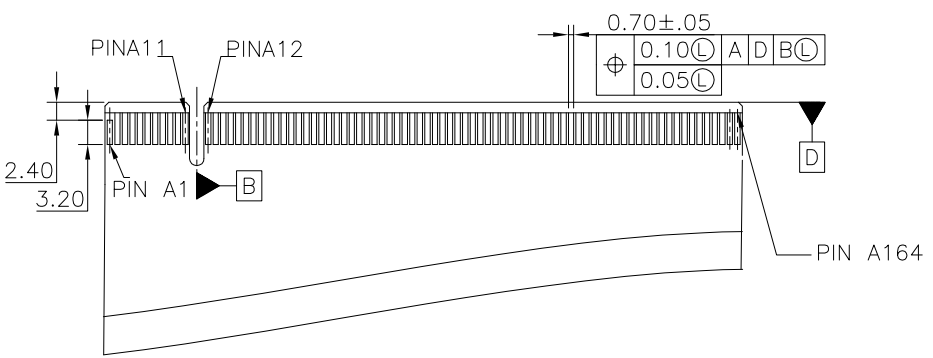
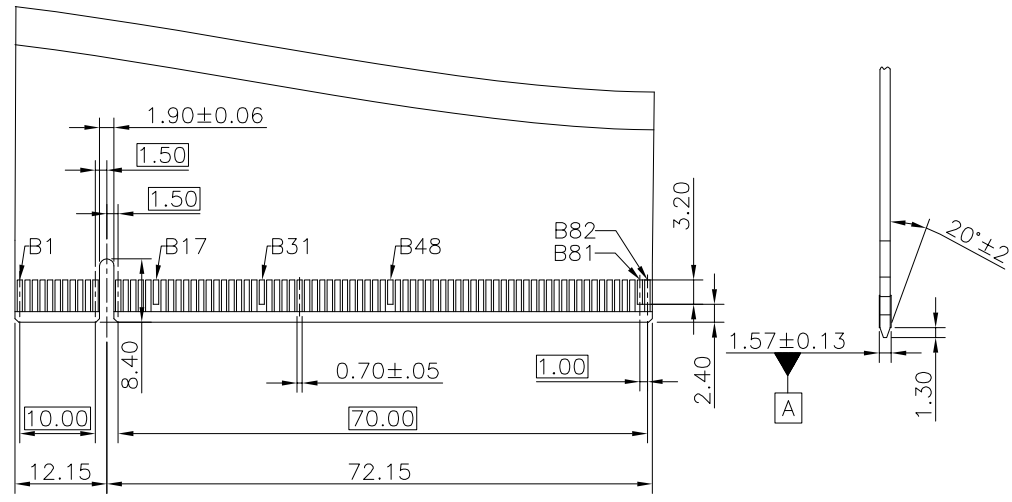
3D VIEW
SCALE 1:1

TOLERANCE	MODEL NAME:PCI E 164PIN 4.0 DOUBLE POST SMT TYPE				DRAWN: XIAOPENG.ZHANG
X.X ±0.35	MODEL NO: SEE TABLE				CHECKED: YOUHUA.CAI
X.XX ±0.25	UNIT:	SCALE:	REVISION:	SHEET	APPROVED: YOUHUA.CAI
X.XXX ±0.10	mm	1:1	A	1/3	DATE: 2021/03/29
ANGLE ±1.0°	DWG NO:C-WLPC-98P06				FILE: C

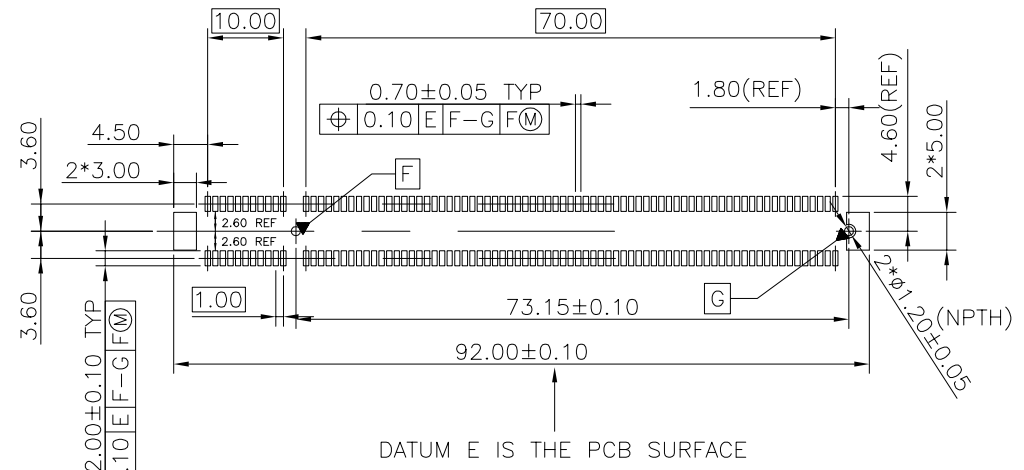


WLCO 深圳市兴万联电子有限公司
SHENZHEN XING WAN LIAN ELECTRONICS CO., LTD.

REV.	ECR/N NO.	DESCRIPTION	DRAWN	DATE
A	—	—	LongQiang	20/11/19
B	—	—	XiaoPeng	21/03/29



RECOMMENDED CARD EDGE FINGER
 DEFAULT TOLERANCE ±0.05



- NOTES:
- NO TIE PERMITTED FROM CARD EDGE TO LEADING EDGE OF PAD FOR PINS A1 AND 'C'.
 - CHAMFER EDGES MUST BE FREE OF CUTTING BURRS.

TOLERANCE	MODEL NAME:PCIE 164PIN 4.0 DOUBLE POST SMT TYPE				DRAWN: XIAOPENG.ZHANG
X.X ±0.35	MODEL NO: SEE TABLE				CHECKED: YOUHUA.CAI
X.XX ±0.25	UNIT:	SCALE:	REVISION:	SHEET	APPROVED:YOUHUA.CAI
X.XXX ±0.10	mm	1:1	A	2/3	DATE: 2021/03/29
ANGLE ±1.0°	WLCO 深圳市兴万联电子有限公司 SHENZHEN XING WAN LIAN ELECTRONICS CO.,LTD.				DWG NO:C-WLPC-98P06
	FILE: C				

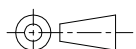
1 2 3 4 5 6 7 8

RoHS **GP** **HF**

REV.	ECR/N NO.	DESCRIPTION	DRAWN	DATE
A	—	—	LongQiang	20/11/19
B	—	—	XiaoPeng	21/03/29

TABLE

NO.	PART NO.	SPECIFICATION	HSF COMPLIANT
1	WLPC-123A	HOUSING_PA10T BLACK UL94-V0,CONTACT_C5191 15u Ni50u,HOOK_STEEL ALLOY MATTE TIN.	RoHS COMPLIANT

TOLERANCE X.X ±0.35 X.XX ±0.25 X.XXX ±0.10 ANGLE ±1.0°	MODEL NAME:PCIE 164PIN 4.0 DOUBLE POST SMT TYPE				DRAWN: XIAOPENG.ZHANG	
	MODEL NO: SEE TABLE				CHECKED: YOUHUA.CAI	
	UNIT:	SCALE:	REVISION:	SHEET	APPROVED:YOUHUA.CAI	
	mm	1:1	A	3/3	DATE: 2021/03/29	
		WLCO 深圳市兴万联电子有限公司 SHENZHEN XING WAN LIAN ELECTRONICS CO.,LTD.			DWG NO:C-WLPC-98P06 FILE: C	