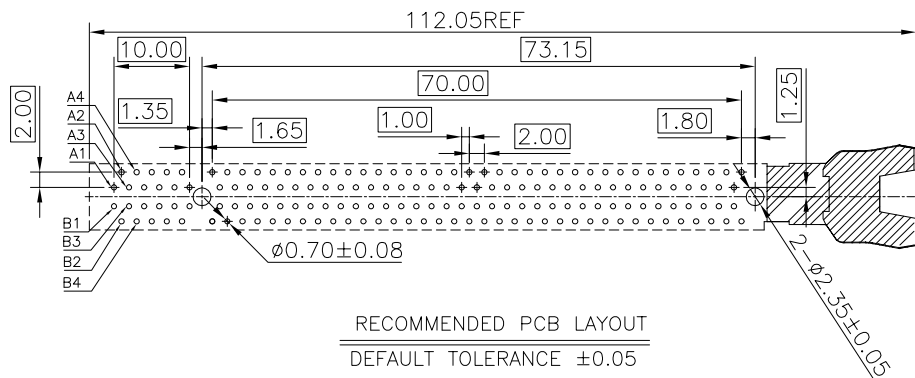
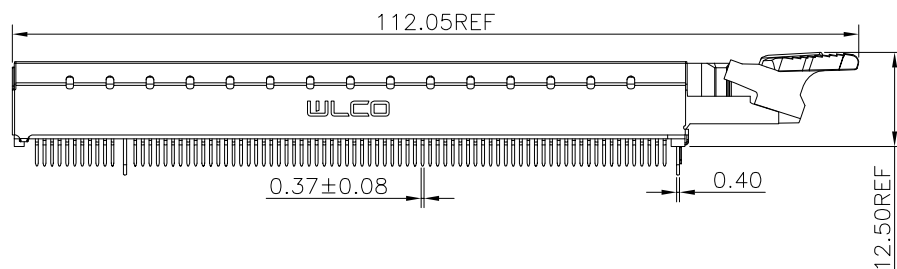
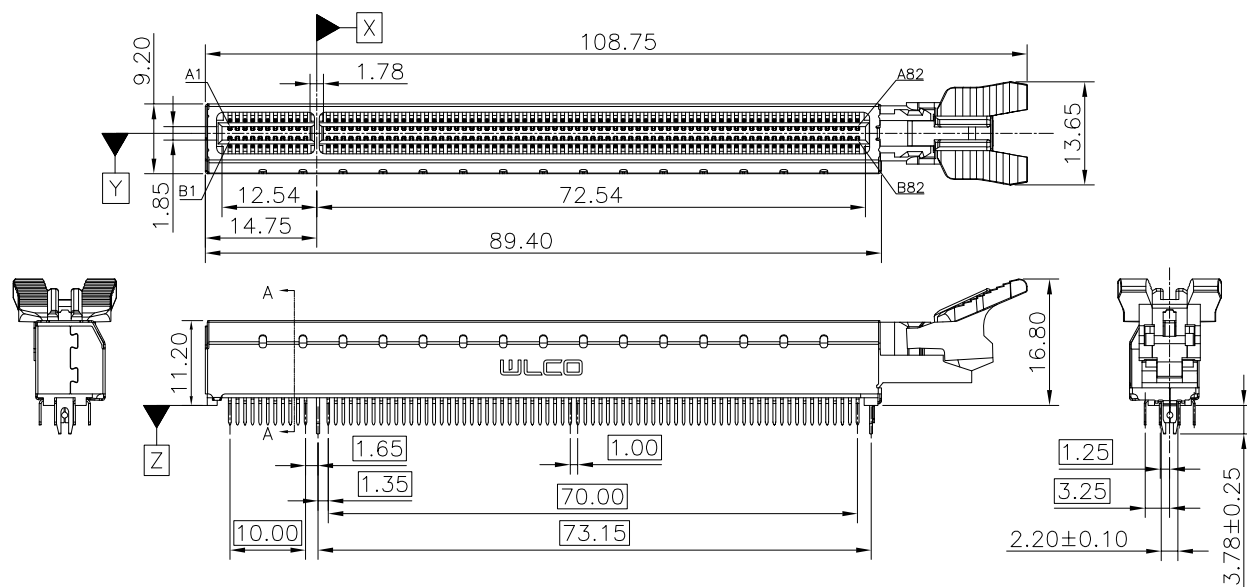
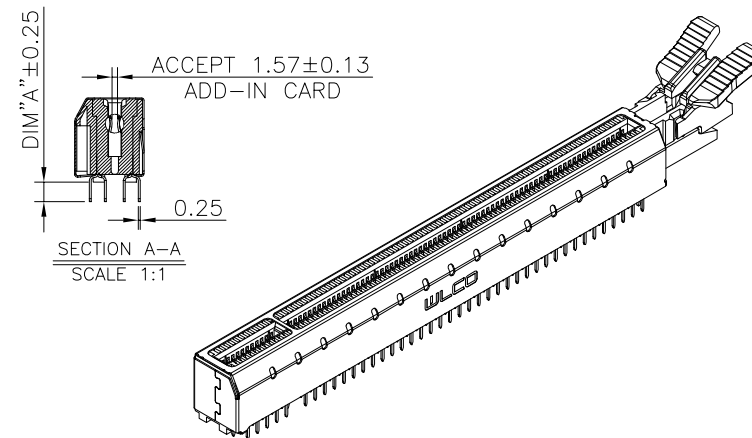


REV.	ECR/N NO.	DESCRIPTION	DRAWN	DATE
A			LongQiang	20/04/02
B			LongQiang	20/05/08
C			XiaoPeng	21/06/10



RECOMMENDED PCB LAYOUT
DEFAULT TOLERANCE ±0.05



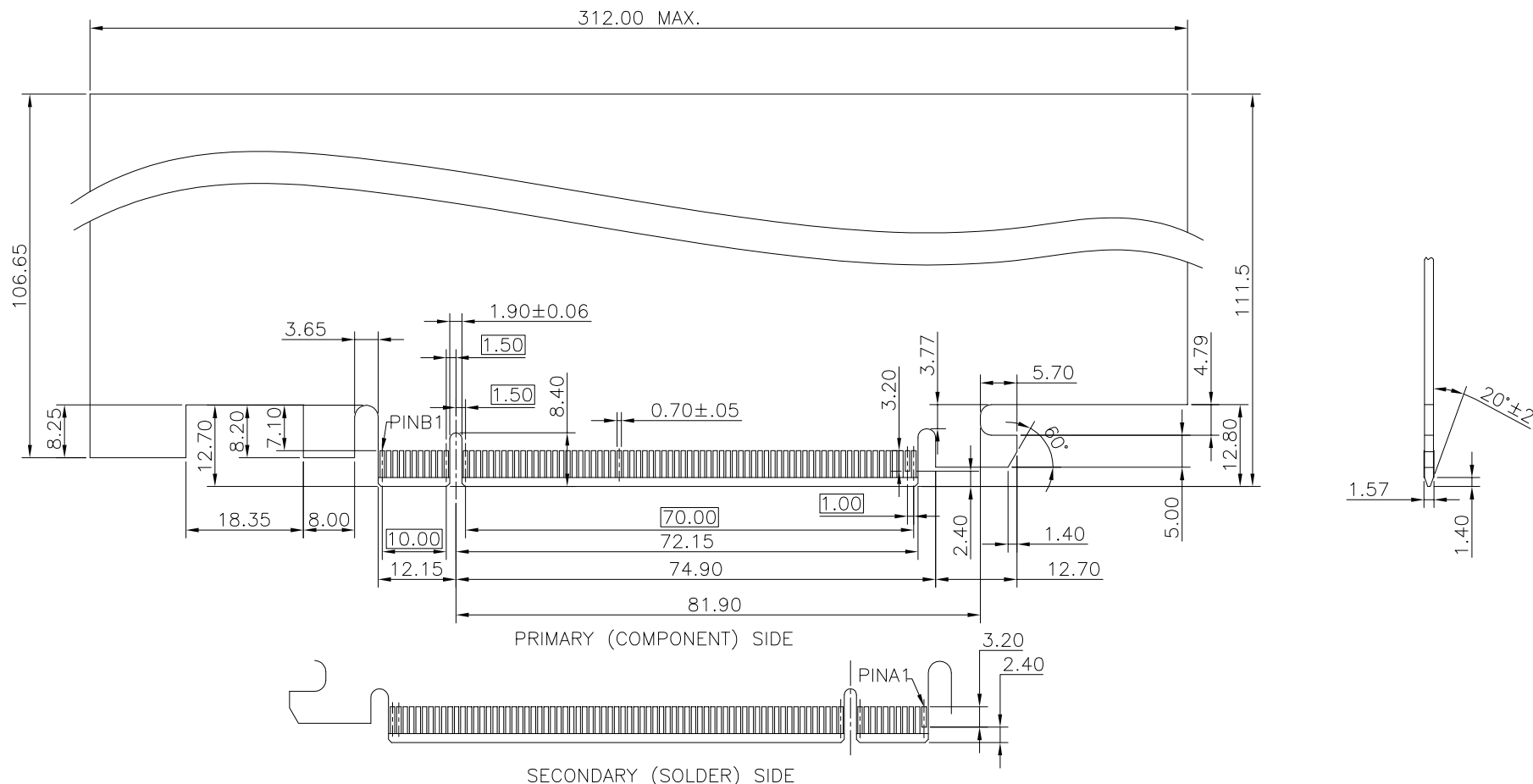
NOTES:

- MATERIAL SPECIFICATION
 - 1-1.HOUSING:HIGH TEMPERATURE THERMOPLASTIC,UL94-V0 V2 OR HB;
 - 1-2.LATCH:HIGH TEMPERATURE THERMOPLASTIC,UL94-V0 V2 OR HB;
 - 1-3.CONTACT:COPPER ALLOY;
 - 1-4.HOOK:STEEL ALLOY OR STAINLESS ALLOY OR COPPER ALLOY;
 - 1-5.SHELL:STAINLESS;
- PLATING SPECIFICATION
 - 2-1.CONTACT:
50U" MIN NICKEL UNDERPLATED;
GOLD/NICKEL PLATING ON THE CONTACT AREA;
100U" MIN MATTE TIN PLATING ON THE SOLDER AREA;
 - 2-2.HOOK:
ONLY NICKEL PLATING;
OR NO PLATING;
OR 50U MIN NICKEL UNDERPLATED,100U MIN MATTE TIN;
 - 2-3.SHELL:
NICKEL PLATING;
- MECHANICAL PERFORMANCE
 - 3-1.INSERTION FORCE-MODULE TO CONNECTOR:1.15N MAX PER PAIR;
 - 3-2.DURABILITY:50 CYCLES;
 - 3-3.UNMATING FORCE(PER PIN PAIR):0.15N MIN;
- ELECTRICAL PERFORMANCE
 - 4-1.CURRENT RATING:1.1A PER PIN MAX;
 - 4-2.LLCR:30mΩ MAX (INITIAL);
 - 4-3.INSULATION RESISTANCE:500V DC,1000MΩ MIN;
 - 4-4.DIELECTRIC WITHSTAND VOLTAGE:500V AC,0.5mA MAX;
- HSF COMPLIANT

TOLERANCE		MODEL NAME:PCIE 164P AIRCRAFT BUCKLE WITH SHELL TYPE		DRAWN: XiaoPeng.Zhang	
X.X	±0.35	MODEL NO: SEE TABLE		CHECKED: YouHua.Cai	
X.XX	±0.25	UNIT:	SCALE:	REVISION:	SHEET
X.XXX	±0.10	mm	1:1	C	1/3
ANGLE	±1.0°	DATE: 2021/06/10		APPROVED: YouHua.Cai	
		WLCO 深圳市兴万联电子有限公司 SHENZHEN XING WAN LIAN ELECTRONICS CO.,LTD.		DWG NO:CS-164P03	
				FILE: C	

RoHS GP HF

REV.	ECR/N NO.	DESCRIPTION	DRAWN	DATE
A	_____	_____	LongQiang	20/04/02
B	_____	_____	LongQiang	20/05/08
C	_____	_____	XiaoPeng	21/06/10



PRIMARY (COMPONENT) SIDE
 SECONDARY (SOLDER) SIDE
RECOMMENDED CARD EDGE FINGER
 DEFAULT TOLERANCE ±0.05

NOTES:

1. NO TIE PERMITTED FROM CARD EDGE TO LEADING EDGE OF PAD FOR PINS A1 AND 'C'.
2. CHAMFER EDGES MUST BE FREE OF CUTTING BURRS.

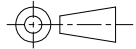
TOLERANCE	MODEL NAME:PCIE 164P AIRCRAFT BUCKLE WITH SHELL TYPE	DRAWN:	XiaoPeng.Zhang
X.X ±0.35	MODEL NO: SEE TABLE	CHECKED:	YouHua.Cai
X.XX ±0.25	UNIT:	APPROVED:	YouHua.Cai
X.XXX ±0.10	mm	DATE:	2021/06/10
ANGLE ±1.0°	SCALE: 1:1	REVISION: C	SHEET 2/3
	WILCO 深圳市兴万联电子有限公司		DWG NO:CS-CUS-WLPC-164P03
	SHENZHEN XING WAN LIAN ELECTRONICS CO.,LTD.		FILE: C

RoHS GP HF

REV.	ECR/N NO.	DESCRIPTION	DRAWN	DATE
A	_____	_____	LongQiang	20/04/02
B	_____	_____	LongQiang	20/05/08
C	_____	_____	XiaoPeng	21/06/10

TABLE

NO.	PART NO.	SPECIFICATION	HSF COMPLIANT	DIM"A"
1	WLPC-063A	HOUSING_PA66 BLACK UL94-HB,LATCH_PA66 BLACK,CONTACT_C2680 G/F Ni50u,HOOK_STEEL ALLOY NICKEL PLATING,SHELL.	RoHS COMPLIANT	2.50mm

TOLERANCE X.X ±0.35 X.XX ±0.25 X.XXX ±0.10 ANGLE ±1.0°	MODEL NAME:PCIE 164P AIRCRAFT BUCKLE WITH SHELL TYPE				DRAWN: XiaoPeng.Zhang	
	MODEL NO: SEE TABLE				CHECKED: YouHua.Cai	
	UNIT:	SCALE:	REVISION:	SHEET	APPROVED: YouHua.Cai	
	mm	1:1	C	3/3	DATE: 2021/06/10	
		WLCO 深圳市兴万联电子有限公司 SHENZHEN XING WAN LIAN ELECTRONICS CO.,LTD.			DWG NO: CUS-WLPC-164P03 FILE: C	