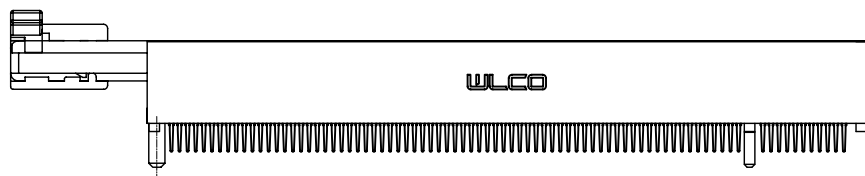
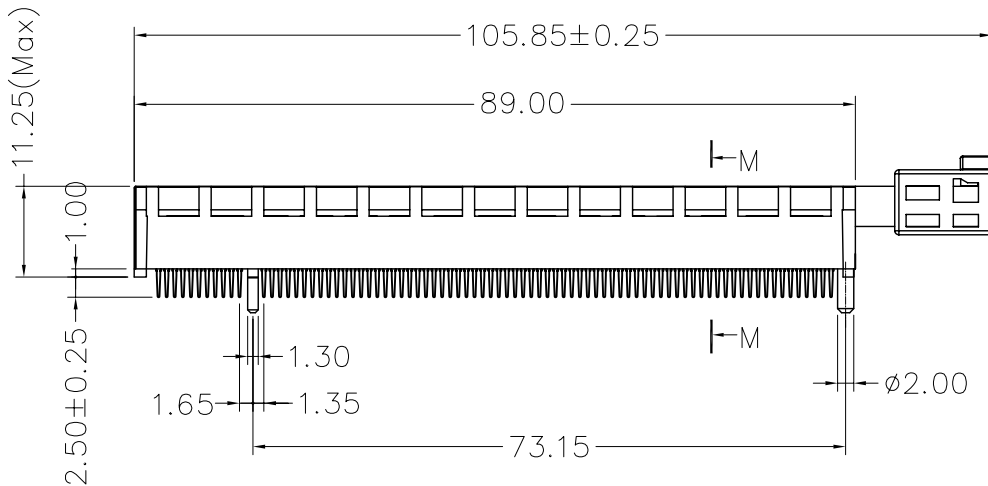
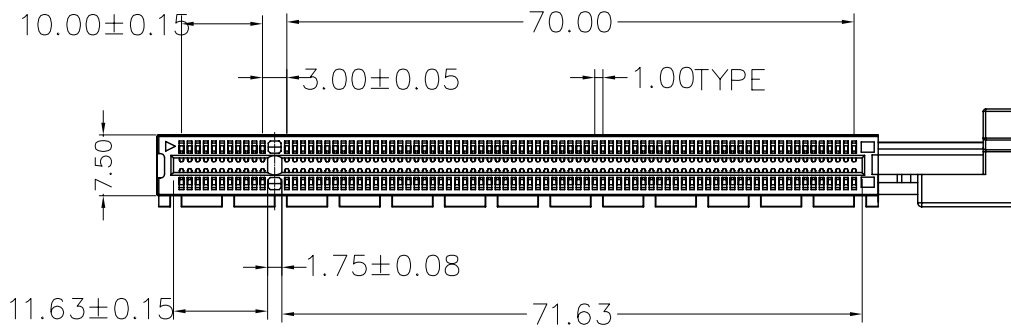
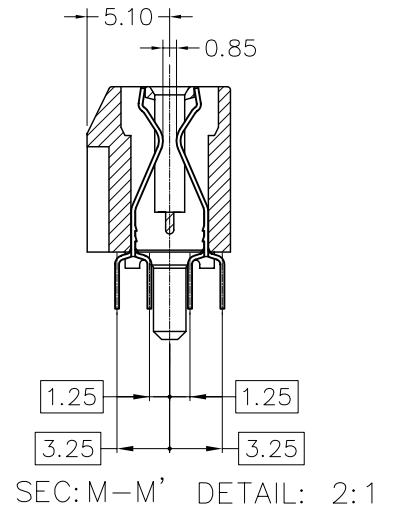
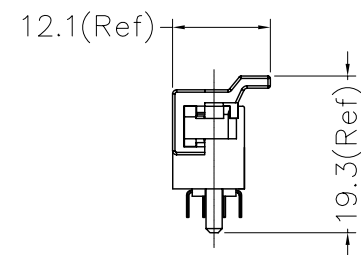



RoHS HF C环保

Mark	ECN NO.	DESCRIPTION	DESIGN	Date:
A	—	New	—	—



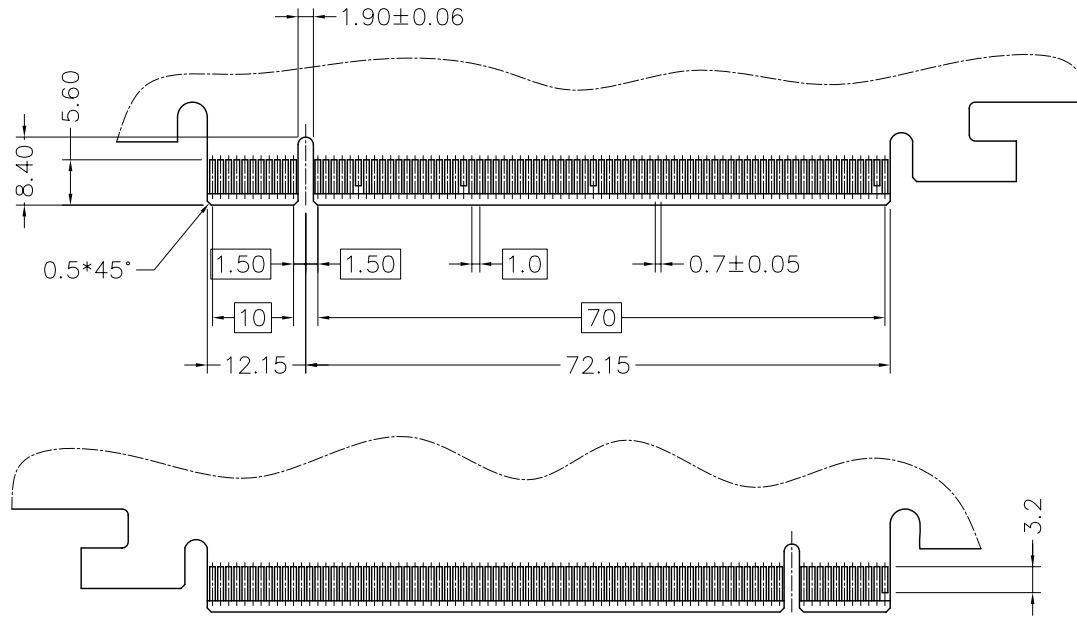
LOGO STYLE



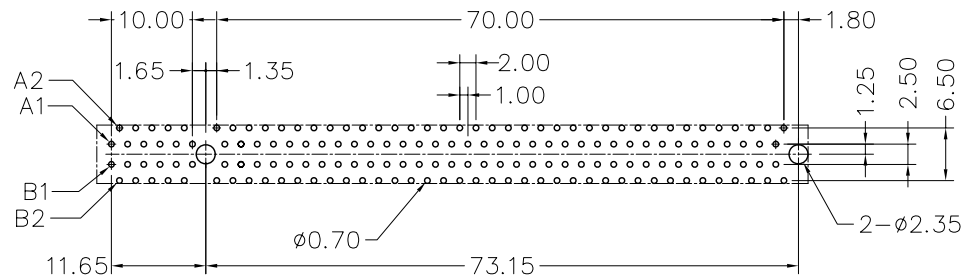
Tolerance	Model Name: PCI-E 164Pin PA66天蓝色 带平扣 定位柱式 端子半金脚G.F				Drawing:	黄海祥
X.X ±0.30	Model No: WLPC-005A				Checked:	姚胜宜
X.XX ±0.25	UNIT:	SCALE:	REVISION:	SHEET	Approved:	李建
X.XXX ±0.15	mm	Full	B	1/2	Date:	2018.06.28
Angle ±2.0°	 WILCO 深圳市兴万联电子有限公司 SHENZHEN XINGWANLIAN TECHNOLOGY CO.,LTD				DWG NO.	
					FILE:	C

RoHS HF C环保

Mark A	ECN NO. —	DESCRIPTION New	DESIGN —	Date: —
-----------	--------------	--------------------	-------------	------------



MODULE LAYOUT (MATING PART ONLY)



RECOMMENDED P.C.B HOLE LAYOUT
COMPONENT SIDE VIEW (TOLERANCE ±0.05)

1. Materials

- 1.1 Housing: Thermoplastic UL94V-2 (Not I.R. Reflow Process)
- 1.2 Contact: Brass

2. Finish

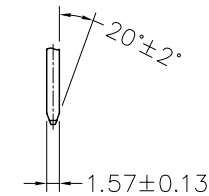
- 2.1 Contact area: Gold plating
- 2.2 Solder area: 100u”(min) Matte Tin (Lead free) plating
- 2.3 Under plating: 50u”(min) Nickel plating

3. Specification

- 3.1 Current Rating: 1.1A per pin
- 3.2 Voltage Rating: 125V
- 3.3 Dielectric Withstanding Voltage: 500V AC for 1 minute
- 3.4 Contact Resistance: 30m ohms max initial;
10m ohms change from initial.
- 3.5 Insulation Resistance: 1000M ohms min
- 3.6 Contact Retention Force: 450g min
- 3.7 Insertion Force: 1.15N per contact max
- 3.8 Withdrawal Force: 0.15N per contact min
- 3.9 Durability Rating: 50 cycles min
- 3.10 Operating Temperature: -55°C to +85°C

4. RoHS Compliant

- 4.1. This Component And Its Homogeneous Subcomponents Are RoHS Compliant.



Tolerance X.X ±0.30 X.XX ±0.25 X.XXX ±0.15 Angle ±2.0°	Model Name: PCI-E 164Pin PA66天蓝色 带平扣 定位柱式 端子半金WLF				Drawing: 黄海祥
	Model No: WLPC-005A				Checked: 姚胜宜
	UNIT:	SCALE:	REVISION:	SHEET	Approved: 李建
	mm	Full	B	2/2	Date: 2018.06.28
	深圳市兴万联电子有限公司 SHENZHEN XINGWANLIAN TECHNOLOGY CO., LTD				DWG NO.
					FILE: C