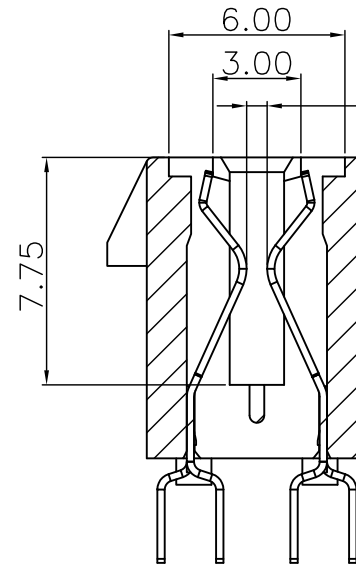
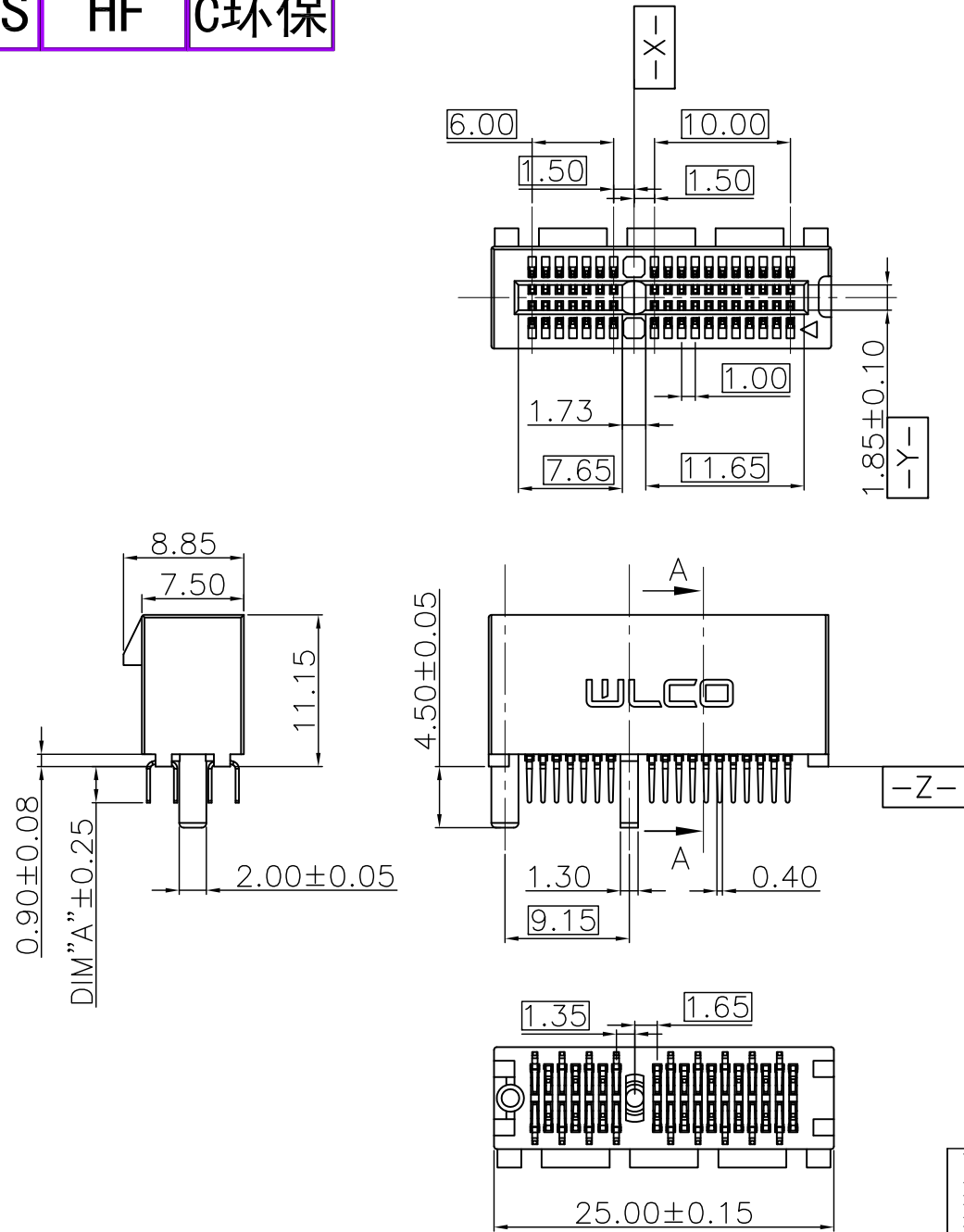


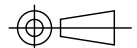
RoHS HF C环保

Mark A	ECN NO. —	DESCRIPTION New	DESIGN —	Date: 2019.03.12
-----------	--------------	--------------------	-------------	---------------------



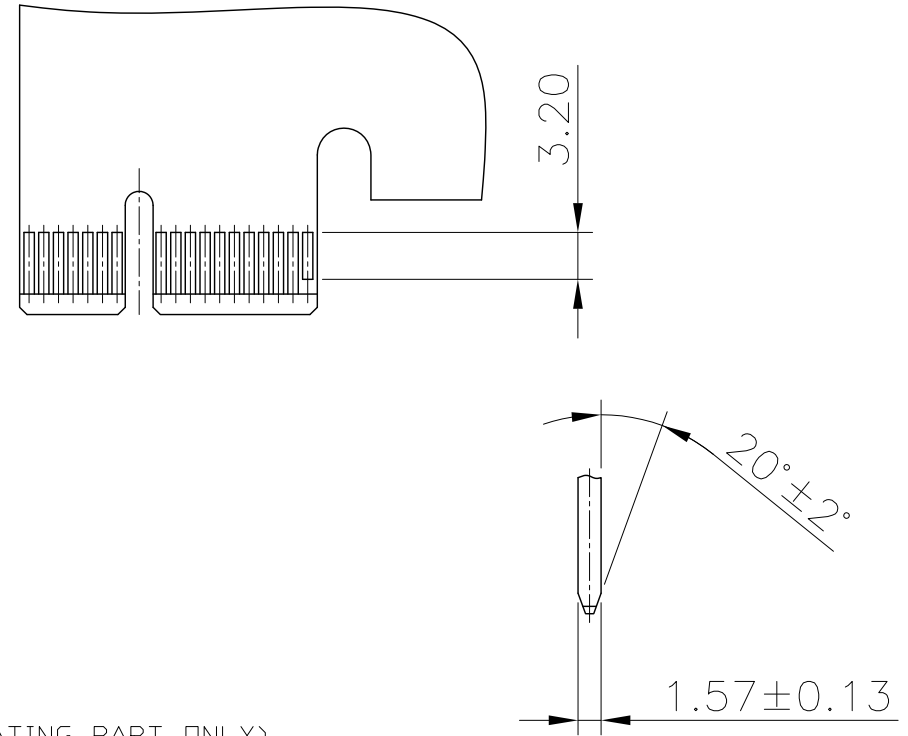
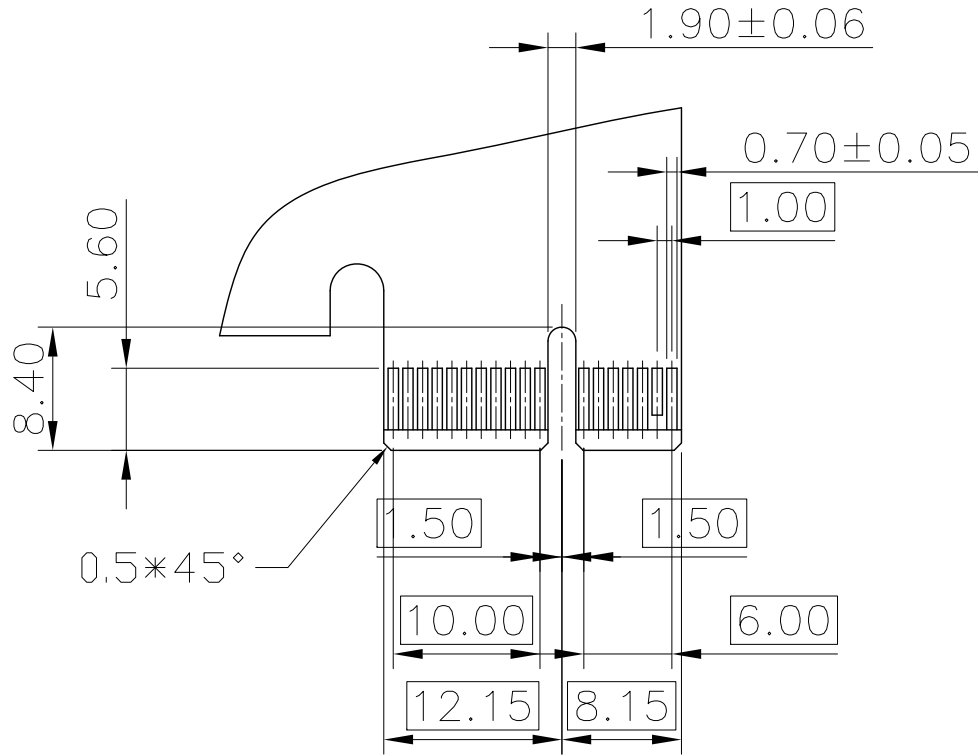
SEC:A-A

SCALE 2:1

Tolerance X.X ±0.30 X.XX ±0.25 X.??? ±0.15 Angle ±2.0°	Model Name: PCI-E 36Pin定位柱式				Drawing: 彭龙强
	Model No: SEE TABLE				Checked: 彭龙强
	UNIT:	SCALE:	REVISION:	SHEET	Approved: 蔡友华
	mm	Full	A	1/4	Date: 2019.03.12
 WLCO 深圳市兴万联电子有限公司 SHENZHEN XINGWANLIAN TECHNOLOGY CO, LTD				DWG NO. CUS-WLPC-36P00	
				FILE: C	

RoHS HF C环保

Mark	ECN NO.	DESCRIPTION	DESIGN	Date:
A	—	New	—	2019.03.12

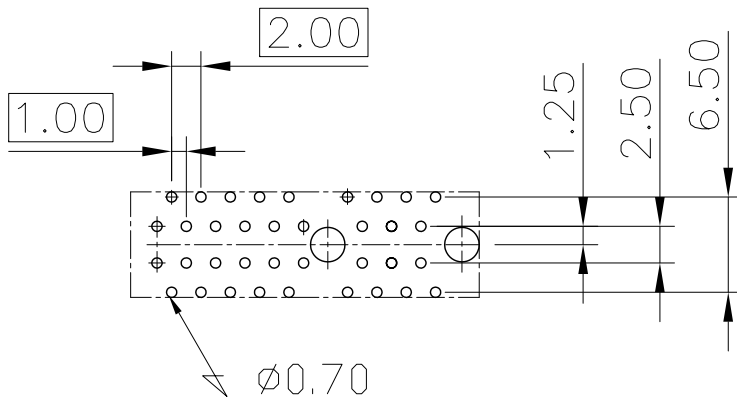
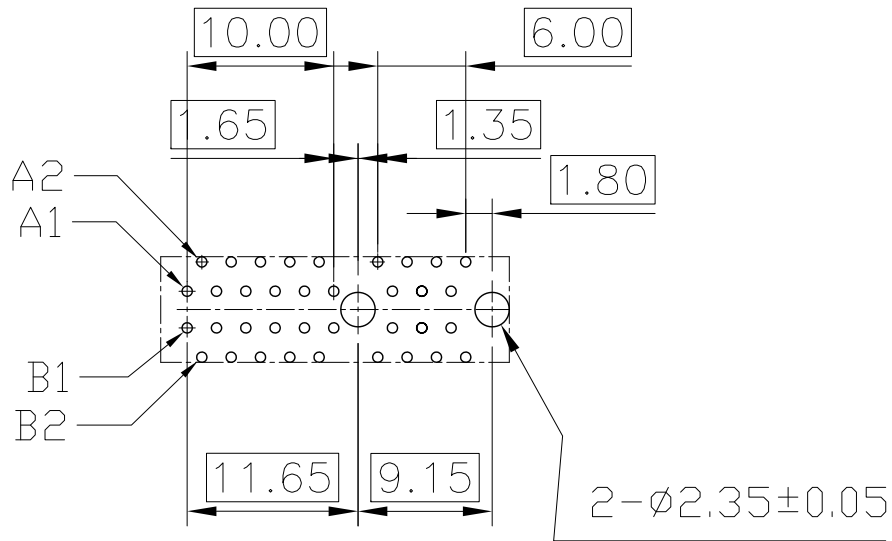


MODULE LAYOUT (MATING PART ONLY)

Tolerance X.X ±0.30 X.XX ±0.25 X.XXX ±0.15 Angle ±2.0°	Model Name: PCI-E 36Pin定位柱式				Drawing: 彭龙强
	Model No: SEE TABLE				Checked: 彭龙强
	UNIT:	SCALE:	REVISION:	SHEET	Approved: 蔡友华
	mm	Full	A	2/4	Date: 2019.03.12
 WLCO 深圳市兴万联电子有限公司 SHENZHEN XINGWANLIAN TECHNOLOGY CO. LTD				DWG NO. CUS-WLPC-36P00 FILE: C	

RoHS HF C环保

Mark A	ECN NO. —	DESCRIPTION New	DESIGN —	Date: 2019.03.12
-----------	--------------	--------------------	-------------	---------------------



RECOMMENDED P.C.B HOLE LAYOUT
COMPONENT SIDE VIEW (TOLERANCE ±0.05)

1. Materials
 - 1.1 Housing: Thermoplastic UL94V-0
(Not I.R. Reflow Process)
 - 1.2 Contact: Brass
2. Finish
 - 2.1 Contact area: Gold plating
 - 2.2 Solder area: 100u”(min) Matte Tin (Lead free)plating
 - 2.3 Under plating: 50u”(min) Nickel plating
3. Specification
 - 3.1 Current Rating: 1.1A per pin min
 - 3.2 Insertion Force: 1.15N max per contact pair
 - 3.3 Withdrawal Force: 0.15N min per contact pair
 - 3.4 Durability Rating: 50 cycles min
 - 3.5 Operating Temperature: -55 C to +85 C
4. RoHS OR HF Compliant
 - 4.1.This Component And Its Homogeneous Subcomponents Are RoHS Compliant OR HF Compliant.

Tolerance X.X ±0.30 X.XX ±0.25 X.??? ±0.15 Angle ±2.0°	Model Name: PCI-E 36Pin定位柱式				Drawing: 彭龙强
	Model No: SEE TABLE				Checked: 彭龙强
	UNIT:	SCALE:	REVISION:	SHEET	Approved: 蔡友华
	mm	Full	A	3/4	Date: 2019.03.12
 WLCO 深圳市兴万联电子有限公司 SHENZHEN XINGWANLIAN TECHNOLOGY CO., LTD				DWG NO. CUS-WLPC-36P00	
				FILE: C	

1 2 3 4 5 6 7 8

RoHS HF C环保

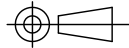

Mark	ECN NO.	DESCRIPTION	DESIGN	Date:
A	—	New	—	2019.03.12

A

TABLE

NO.	PART NO.	SPECIFICATION	RoHS OR HF COMPLIANT	DIM"A"
1	WLPC-006A	HOUSING_PA66 ,CONTACT_C2680 G/F.	RoHS COMPLIANT	2.70mm

B

<p>Tolerance</p> <p>X.X ±0.30</p> <p>X.XX ±0.25</p> <p>X.??? ±0.15</p> <p>Angle ±2.0°</p>	Model Name: PCI-E 36Pin定位柱式				Drawing: 彭龙强
	Model No: SEE TABLE				Checked: 彭龙强
	UNIT:	SCALE:	REVISION:	SHEET	Approved: 蔡友华
	mm	Full	A	4/4	Date: 2019.03.12
	 深圳市兴万联电子有限公司 SHENZHEN XINGWANLIAN TECHNOLOGY CO., LTD				DWG NO. CUS-WLPC-36P00
					FILE: C

5 6 7 8