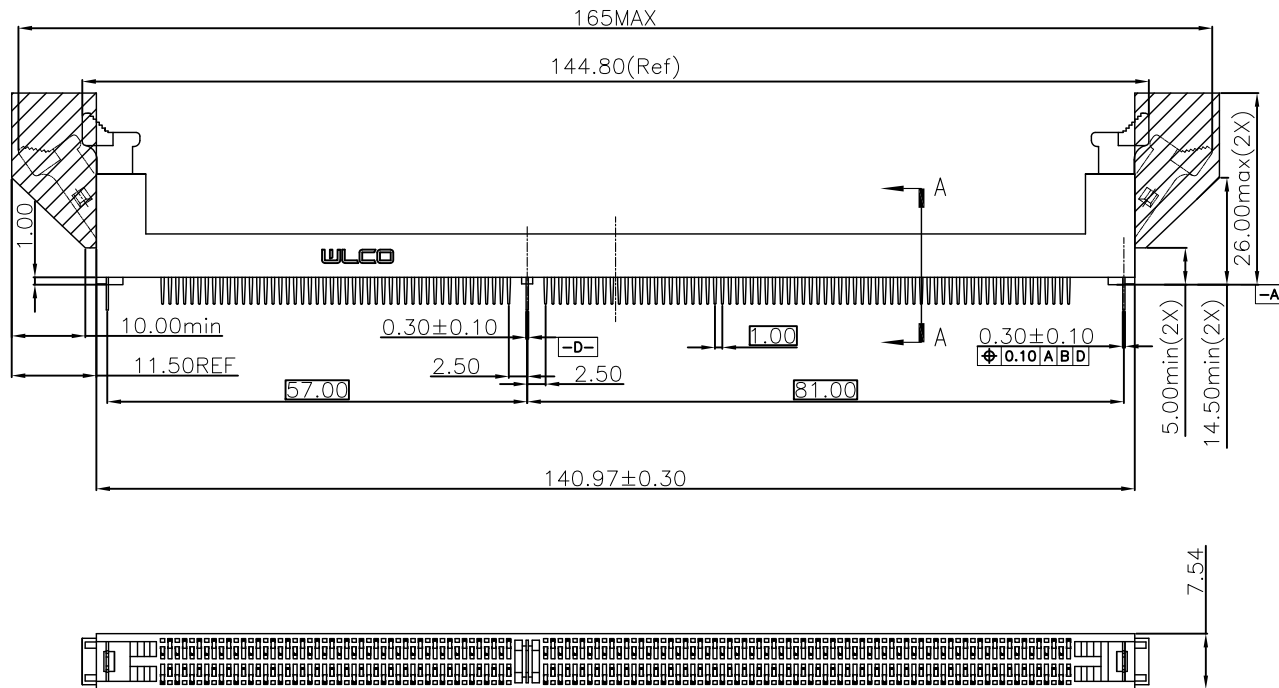
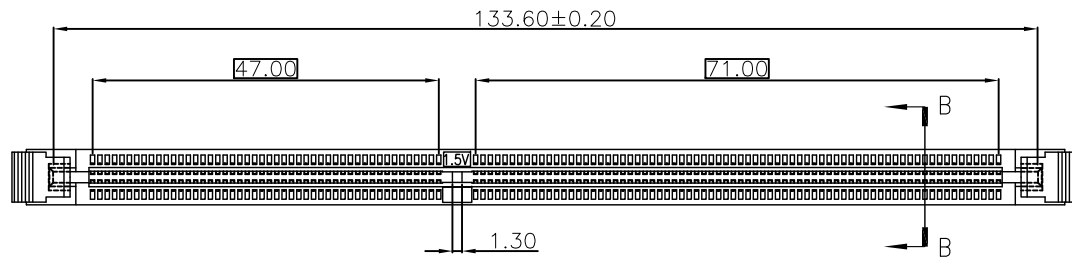


Mark	ECN NO.	DESCRIPTION	DESIGN	Date:
A	—	New	—	2018/11/22



1. Materials.

- 1.1 Housing: PA66 Black UL94V-0
- 1.2 Contact: Copper alloy
- 1.3 Latch: PA66 White UL94V-0
- 1.4 Forklock: Copper alloy

2. Finish

- 2.1 Contact : 50u"min nickel under plated, gold G/F plating on contact area, 100u" (min) Matte Tin <Lead free> plating on solder area.
- 2.2 Forklock: 50u" (min) Nickel under plated, 100u" (min) Matte Tin <Lead free> plating.

3. Specification

- 3.1 Current Rating: 0.5A(max)
- 3.2 Dielectric Withstanding Voltage: 500V AC min
- 3.3 Contact Resistance: 30 Milliohms max
- 3.4 Insulation Resistance: 1000 Megohms min
- 3.5 Contact Retention Force: 0.3kgf min per pin
- 3.6 Insertion Force: 10.89kgf max
- 3.7 Withdrawal Force: 1.68kgf min
- 3.8 Durability : 25 cycles min
- 3.9 Operating Temperature: -55° C to +85° C

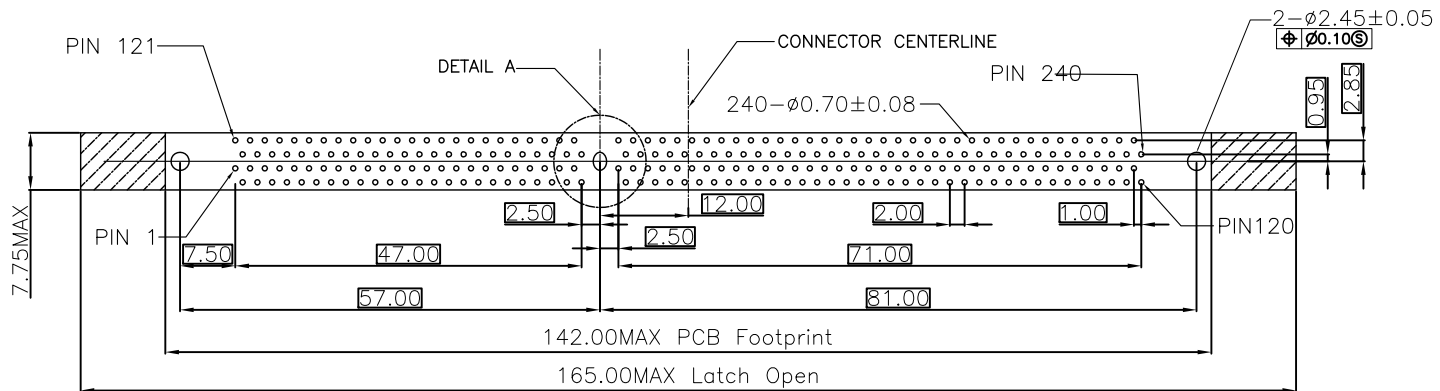
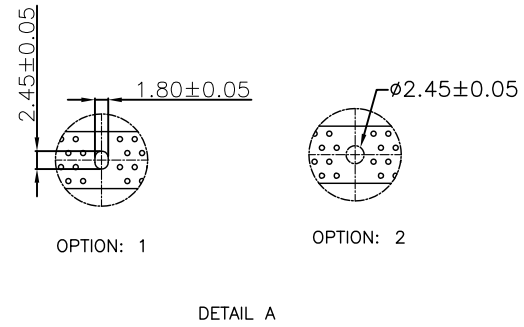
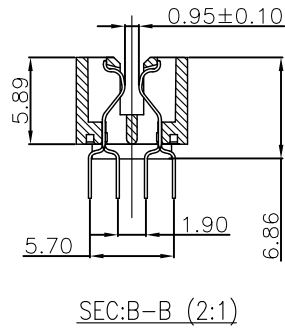
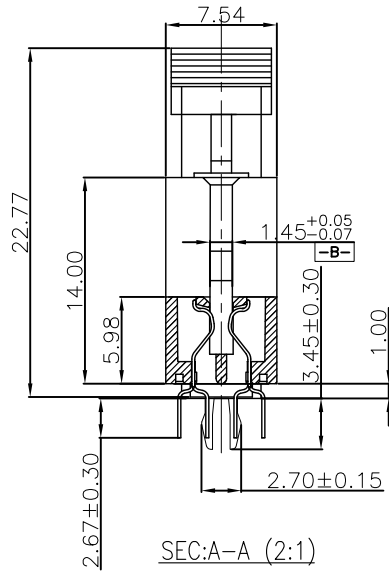
Tolerance X.X ±0.30 X.XX ±0.25 X.XXX ±0.15 Angle ±2.0°	Model Name: DDR3 240Pin双耳扣				Drawing: 彭龙强	
	Model No: SEE TABLE				Checked: XXX	
	UNIT:	SCALE:	REVISION:	SHEET	Approved: 蔡友华	
	mm	1/1	A	1/4	Date: 2019.03.20	
		<b>WLCO</b> 深圳市兴万联电子有限公司 SHENZHEN XINGWANLIAN TECHNOLOGY CO.,LTD			DWG NO. CUS-WLDD-R301	
					FILE: C	

RoHS

HF

C环保

Mark A	ECN NO. —	DESCRIPTION New	DESIGN —	Date: 2018/11/22
-----------	--------------	--------------------	-------------	---------------------



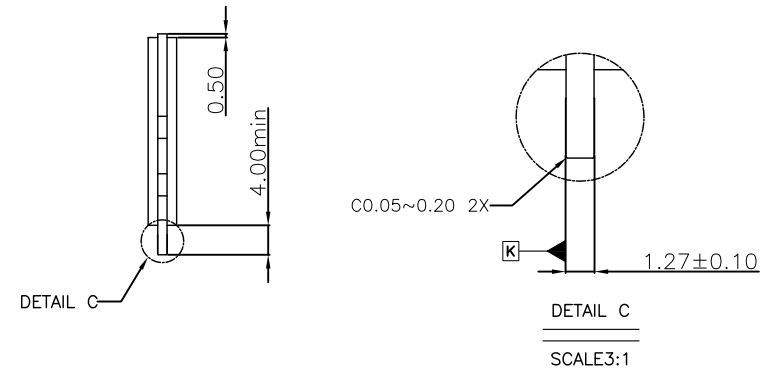
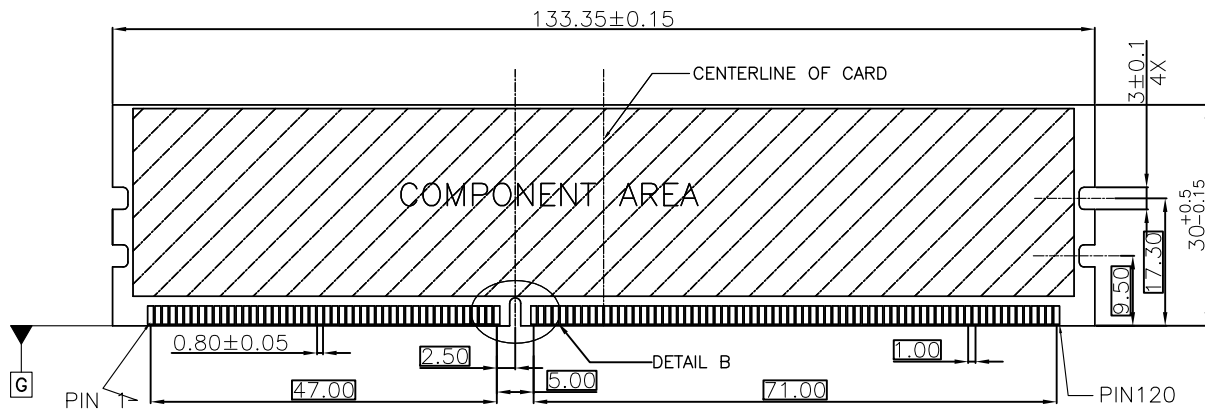
Tolerance X.X ±0.30 X.XX ±0.25 X.XXX ±0.15 Angle ±2.0°	Model Name: DDR3 240Pin双耳扣				Drawing: 彭龙强	
	Model No: SEE TABLE				Checked: XXX	
UNIT: mm	SCALE: 1/1	REVISION: A	SHEET: 2/4	Approved: 蔡友华		
	Date: 2019.03.20				DWG NO. CUS-WLDD-R301	
SHENZHEN XINGWANLIAN TECHNOLOGY CO.,LTD				FILE: C		

RoHS

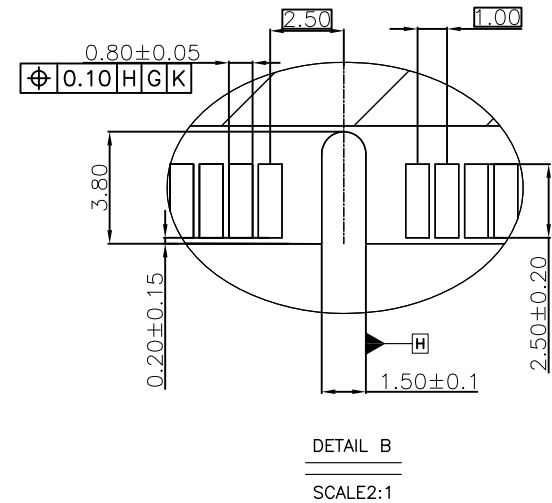
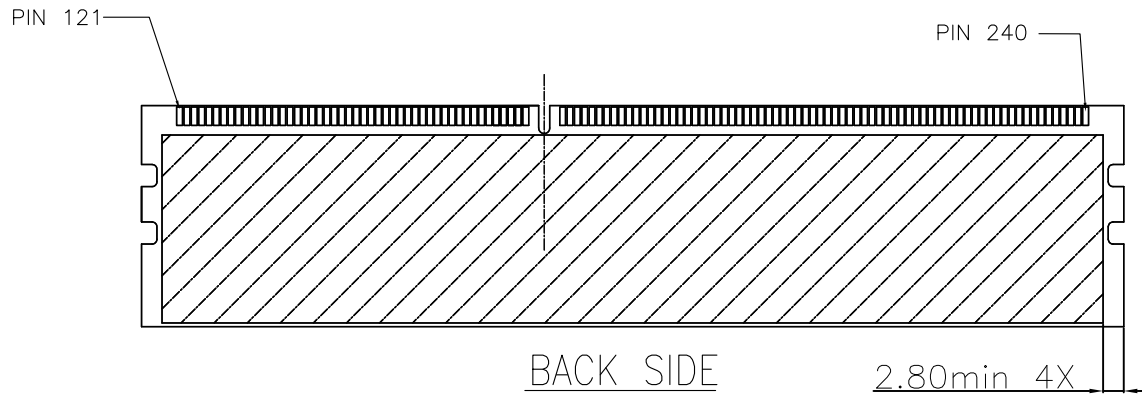
HF

C环保

Mark	ECN NO.	DESCRIPTION	DESIGN	Date:
A		New		2018/11/22



RECOMMENDED MODULE LAYOUT



Tolerance X.X ±0.30 X.XX ±0.25 X.XXX ±0.15 Angle ±2.0°	Model Name: DDR3 240Pin双耳扣				Drawing: 彭龙强	
	Model No: SEE TABLE				Checked: XXX	
	UNIT:	SCALE:	REVISION:	SHEET	Approved: 蔡友华	
	mm	1/1	A	3/4	Date: 2019.03.20	
		<b>WLCO</b> 深圳市兴万联电子有限公司 SHENZHEN XINGWANLIAN TECHNOLOGY CO.,LTD			DWG NO. CUS-WLDD-R301	
					FILE: C	

RoHS

HF

C环保

Mark	ECN NO.	DESCRIPTION	DESIGN	Date:
A	—	New	—	2018/11/22

### TABLE

NO.	料号	规格	DIM"A"
1	WLPC-007A	HOUSING_PA66BLACK,LATCH_PA66WHITE,CONTACT_C2680G/F,HOOK_MATTE SN.	2.70mm

Tolerance X.X ±0.30 X.XX ±0.25 X.XXX ±0.15 Angle ±2.0°	Model Name: DDR3 240Pin双耳扣				Drawing: 彭龙强
	Model No: SEE TABLE				Checked: XXX
	UNIT:	SCALE:	REVISION:	SHEET	Approved: 蔡友华
	mm	1/1	A	4/4	Date: 2019.03.20
		<b>WLCO</b> 深圳市兴万联电子有限公司 SHENZHEN XINGWANLIAN TECHNOLOGY CO.,LTD			DWG NO. CUS-WLDD-R301
					FILE: C