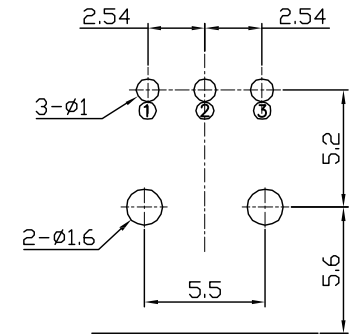
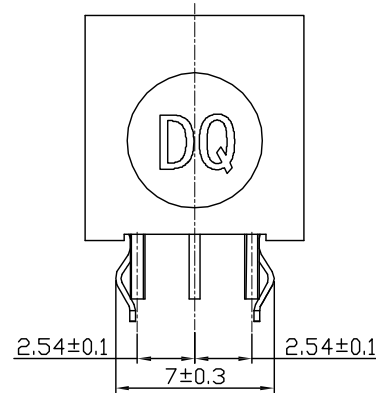
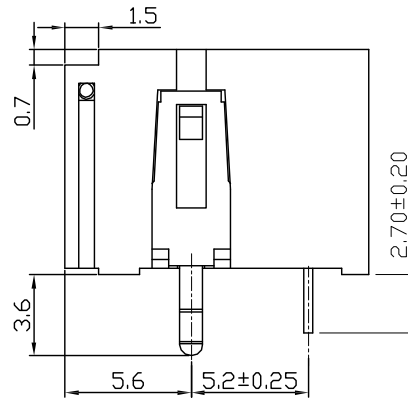
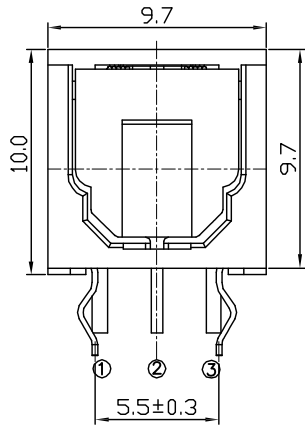
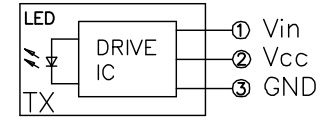
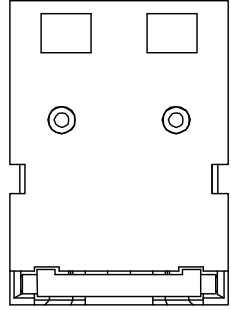
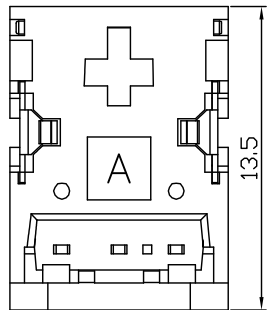


RoHS

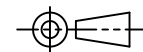
MARK	ECN NO.	DESCRIPTION	DESIGN	DATE
A	—	NEW	—	—



Recommended P.C.Board hole



Tolerance X.X ±0.30 X.XX ±0.25 X.XXX ±0.15 Angle ±2.0°	Model Name: 光纤发射接口 (DQT-015E) 针长2.7			Drawing: 黄海祥
	Model No: WLAD-040A			Checked: 姚世宣
	UNIT:	SCALE:	REVISION:	SHEET
	mm	FULL	A	1/1
Date: 2015.02.15				Approved: 李建
DWG NO.				FILE: C



**WLCO** 深圳市兴万联电子有限公司  
SHENZHEN XINGWANLIAN TECHNOLOGY CO.,LTD